



# DROSERA TS110 PART LIST





**MAINTENANCE-REPAIR AND OPERATING HAND BOOK**  
OPERATING MANUAL SPARE PARTS CATALOGUE



## SPARE PARTS



When ordering spare parts, it is important that you indicate the type and serial number of your machine.  
Use only genuine Damilano Group parts.  
Complete the type and serial number.  
This is an easy reference with a view to future spare parts ordering.

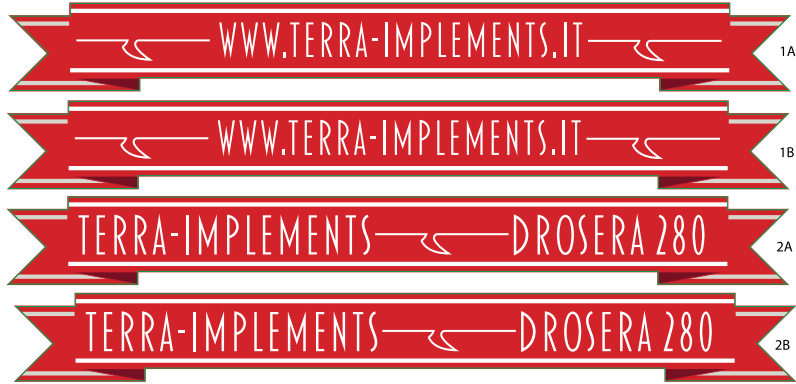
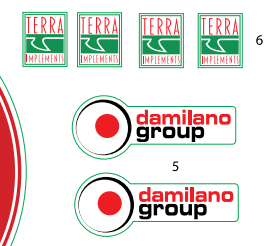
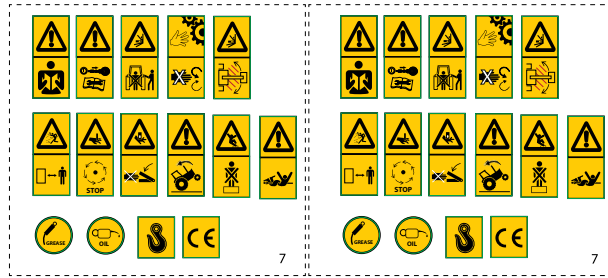
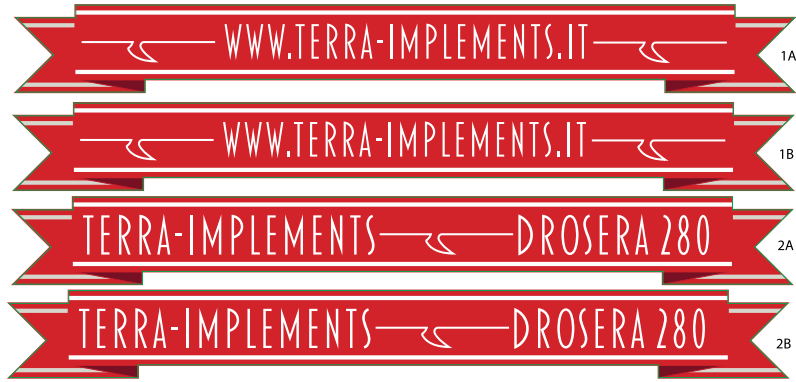
## PIECES DE RECHANGE

En commandant des pièces de rechange il importe que vous indiquiez les numéros de type et de série de votre machine. N'utiliser que des pièces d'origines Damilano Group.  
Veuillez noter, ci-dessous, les numéros de type et de série.  
Ceci est important pour toutes commandes de pièces de rechange.

## PIEZAS DE REPUESTO

Cuando ordene piezas de repuesto, es importante que indique el tipo y número de serie de su máquina.  
Utilice sólo piezas de Damilano Group.  
Completar el tipo y número de serie.  
Esto es una referencia fácil para futuros recambios pedidos.

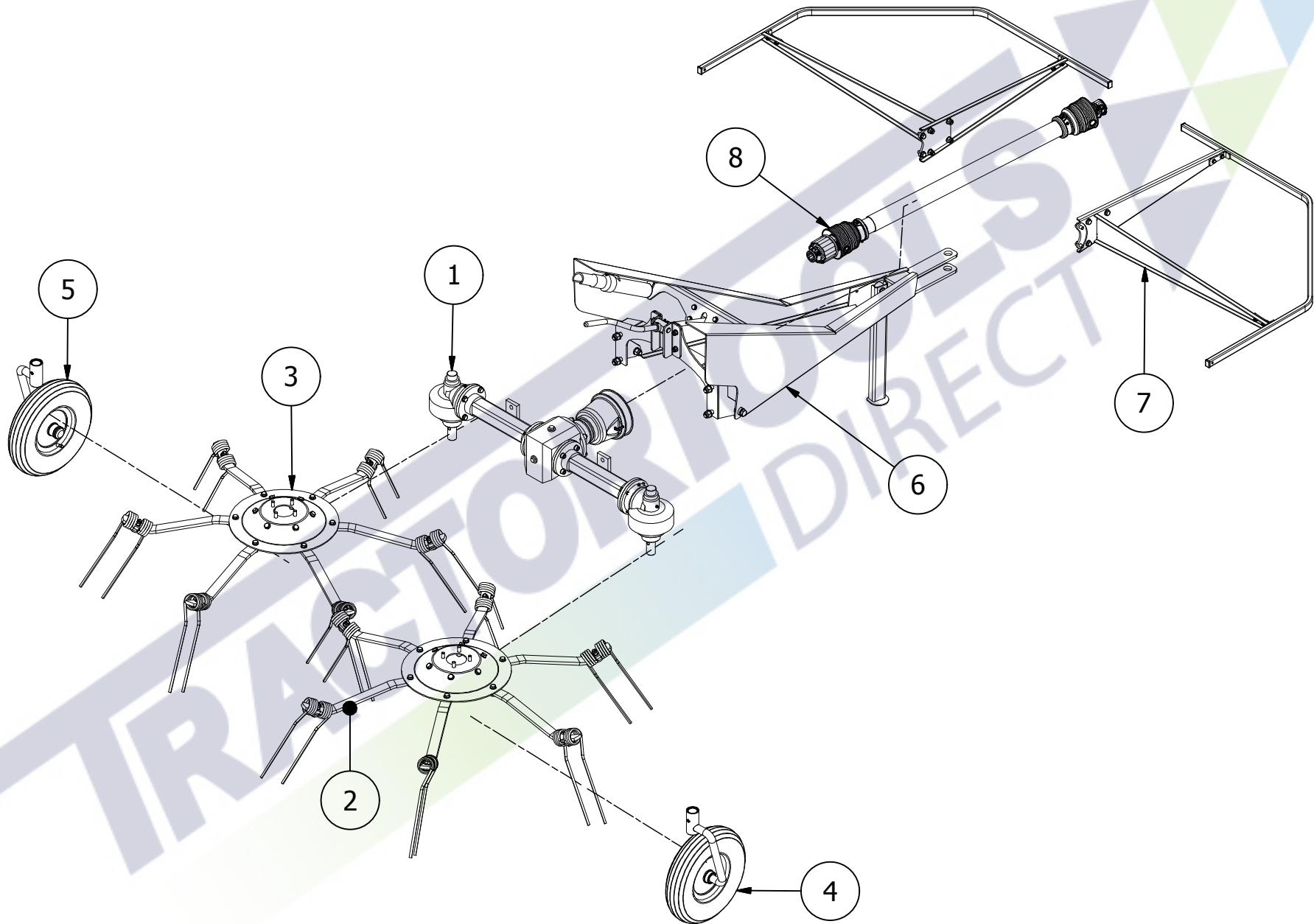
	by <b>DAMILANO GROUP</b> srl Via Fratelli Ceirano, 19/21 Cuneo - 12100- (CN) Italy Tel.: +39 0171 4142 Fax.: +39 0171 414219
Modello: <input type="text"/>	
N°: <input type="text"/>	
Anno: <input type="text"/>	
Massa: <input type="text"/>	



PLANCIA DROSERA 280

Pos.	Code	Description	Quantity
1	2.026.0001	Drosera 280 decals	1 (2 machines)

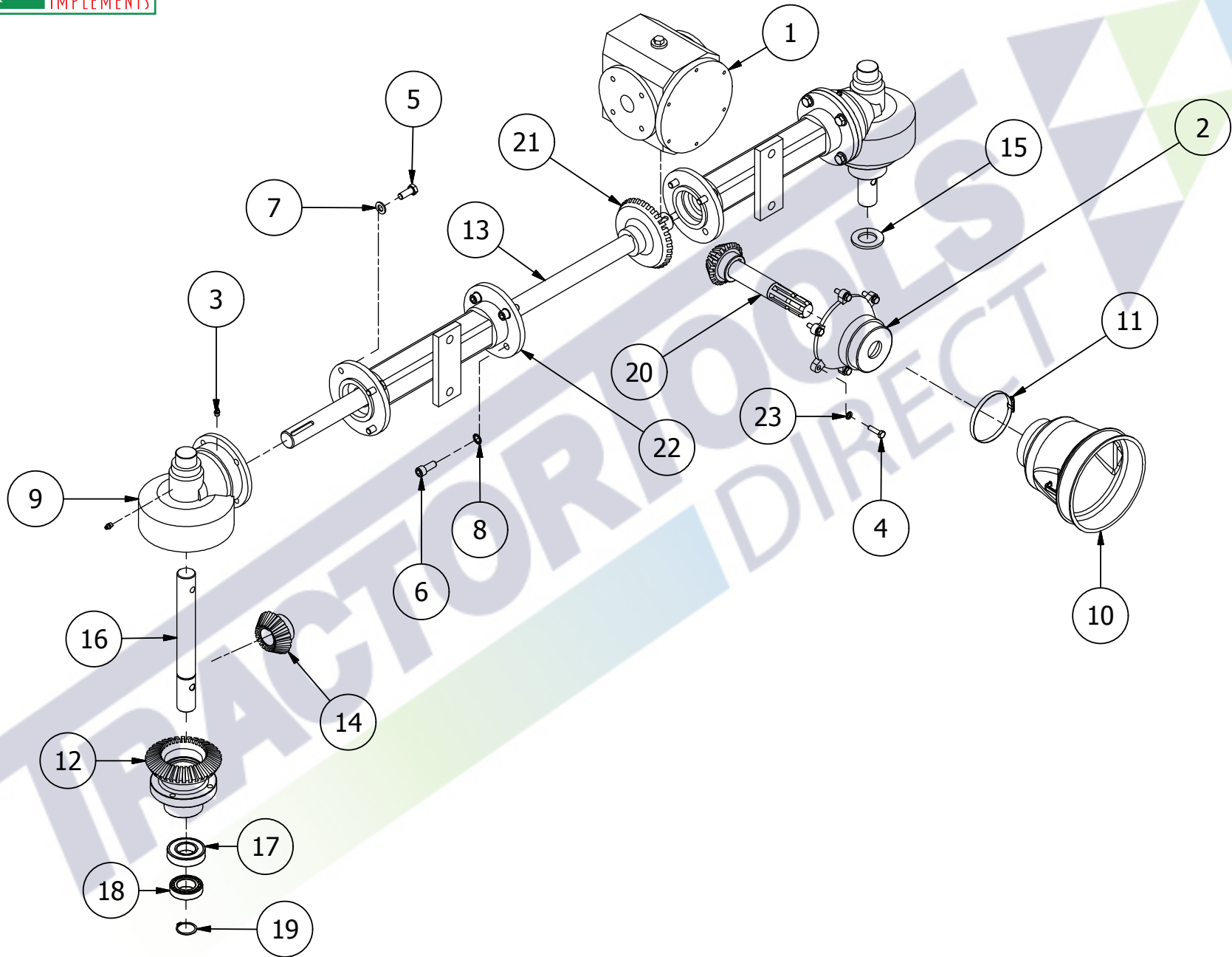
TRACTORTOOLS  
DIRECT



## Rotary tedder Drosera 280

Cod. 1.005.0001

Pos.	Code	Description	Quantity
1	5.002.0001	Complete Gearbox	1
2	5.001.0001	Right Rotor Assembly	1
3	5.001.0002	Left rotor assembly	1
4	5.005.0001	Right wheel assembly	1
5	5.005.0002	Left wheel assembly	1
6	5.006.0001	Pull type system	1
7	5.007.0001	Guards assembly	1
8	5.016.0001	PTO shaft AX23116-1781	1

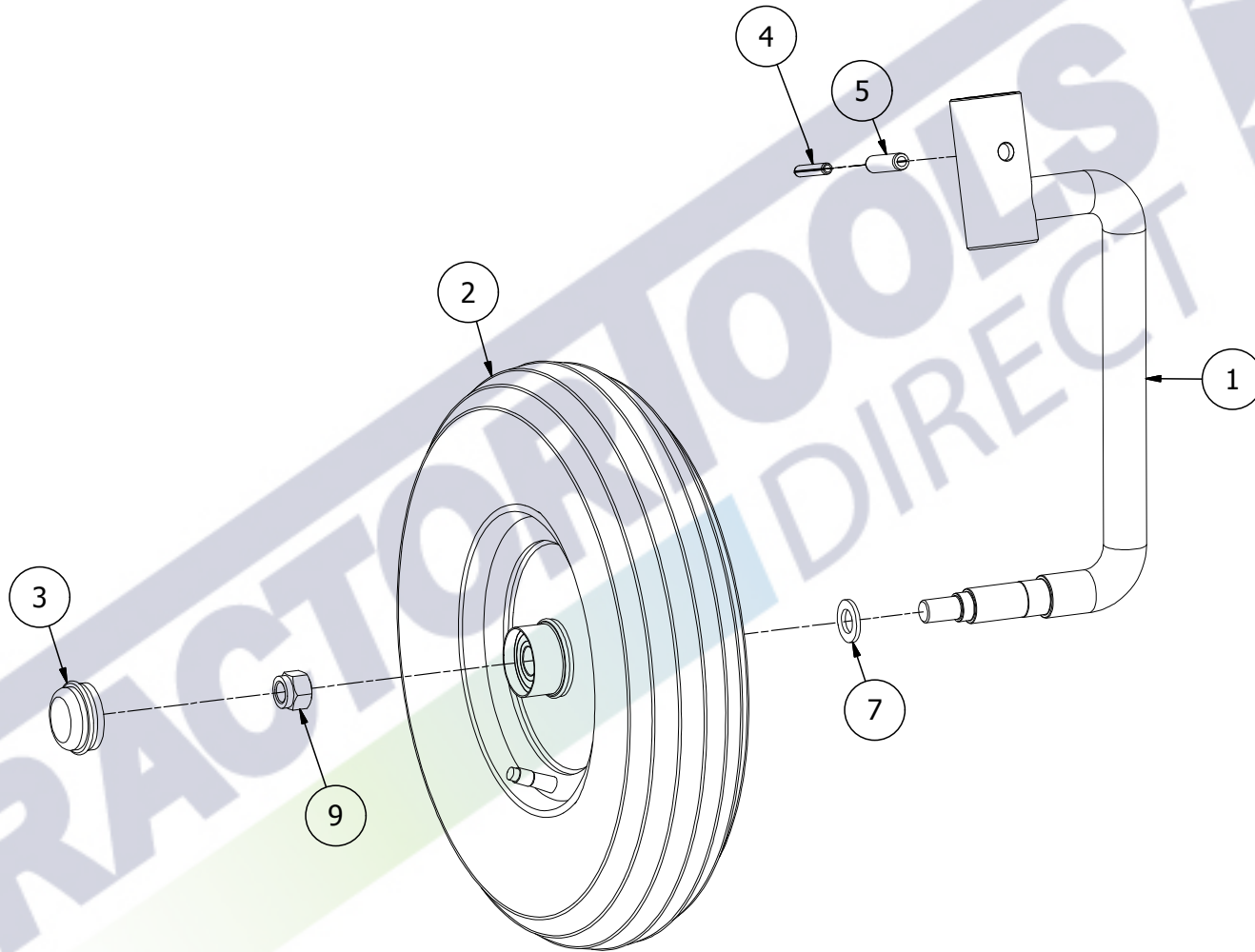




## Complete Gearbox Drosera 280

Cod. 5.002.0001

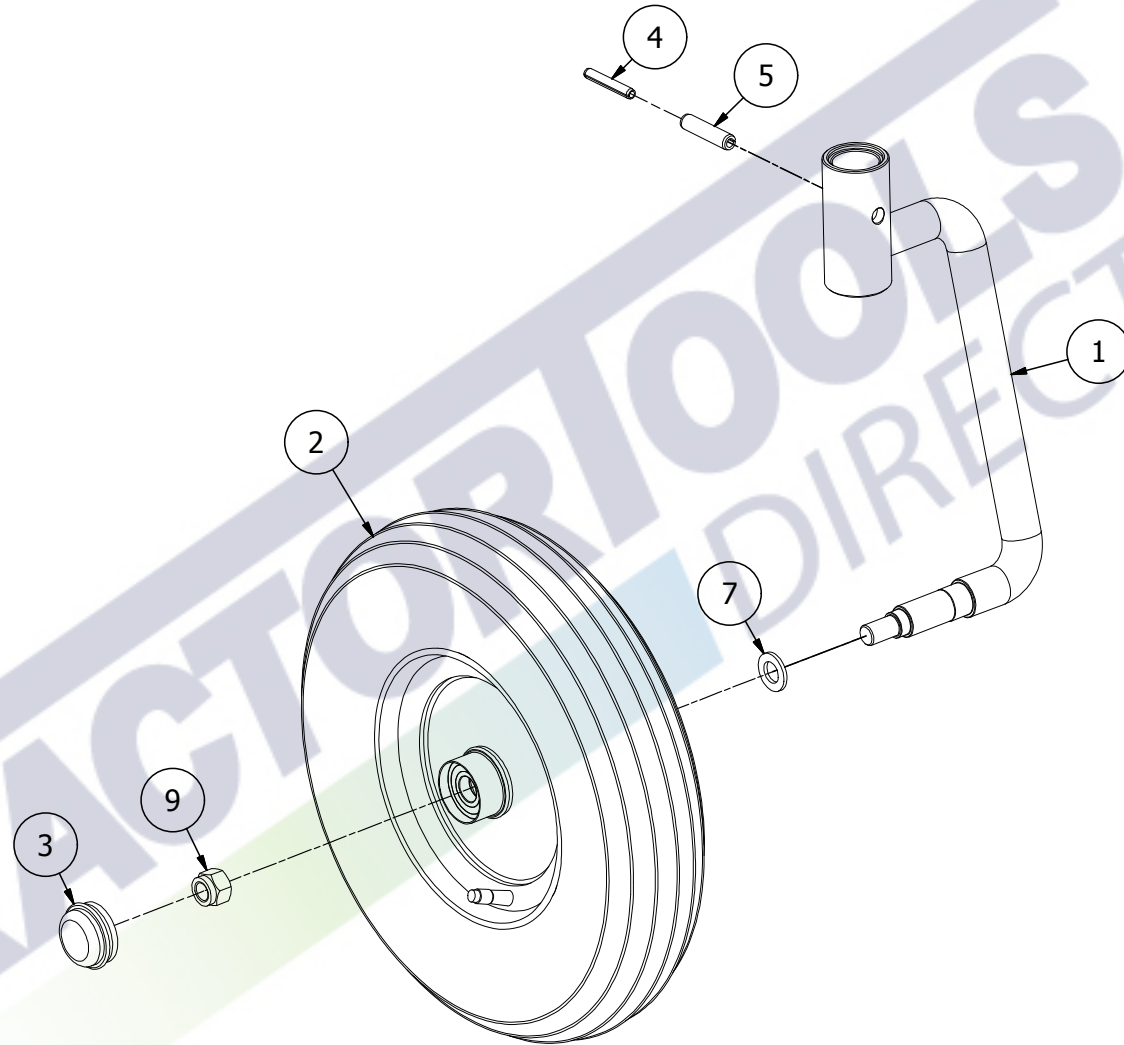
Pos.	Code	Description	Quantity
1	5.009.0006	Center gearbox for Drosera 280	1
2	5.009.0008	Side gearbox for Drosera 280	1
3	2.013.0003	Greaser DIN 71412 M8x1 - A	4
4	2.001.0043	Hex. Screw ISO 4017 M8x30	6
5	2.001.0086	Hex. Screw ISO 4017 M12x30	8
6	2.001.0809	Hex. Socket Cap Screw ISO 4762 M12x30	8
7	2.003.0006	Flat Washer ISO 7089 D12	8
8	2.003.0056	Locking Washer DIN 127 D12	8
9	5.009.0005	Side gearbox for Drosera 280	2
10	2.010.0001	PTO guard cod. 35/41	1
11	2.010.0003	Zip tie - DIN 3017 d.90-110-9-ART.1039	1
12	3.004.0001	Conical gear Z=35 for Drosera 280	2
13	3.014.0006	Drive shaft for Drosera 280	1
14	3.004.0002	Conical gear Z 20	2
15	3.005.0002	Washer D35,1x61x5	1
16	3.014.0005	External wheels shaft	2
17	2.004.0001	Ball Bearing 6207-2RS1 (35-72-17)	2
18	2.004.0002	Conical Bearing 32007 X/Q (35-62-18)	2
19	2.021.0002	Seeger ring for shaft DIN 471 - 35X1,5	2
20	3.014.0004	Central transmission shaft Z=20	1
21	3.004.0003	Conical gear Z=35	1
22	5.009.0007	Gearbox tube connection for Drosera 280	2
23	2.003.0054	Locking Washer DIN 127 D8	6



## Wheel assembly right

Cod. 5.005.0001

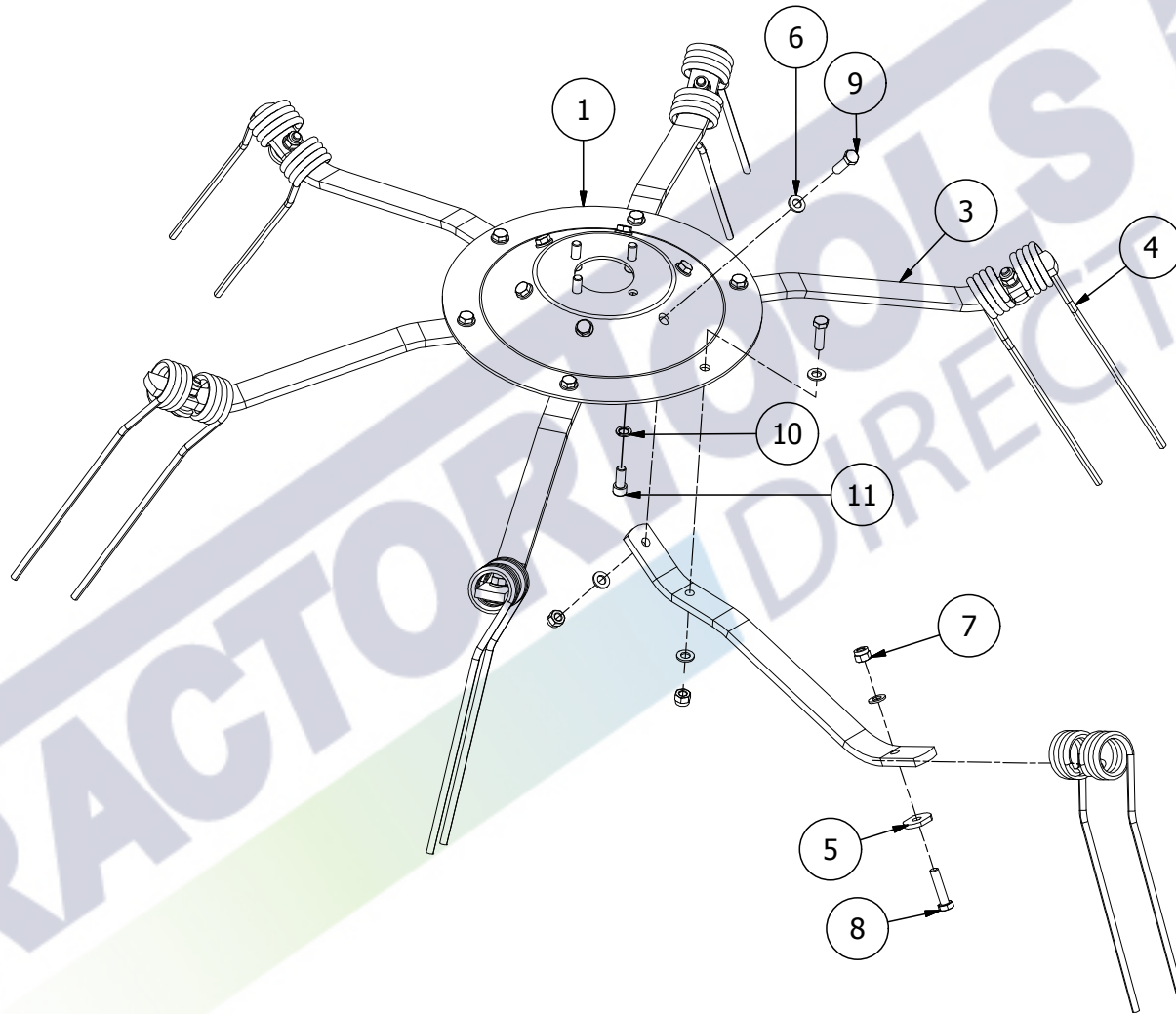
Pos.	Code	Description	Quantity
1	3.006.0001	Right leg	1
2	2.005.0001	Wheel D= 410 x 106	1
3	2.006.0001	Cap D50 for wheel	1
4	2.009.0104	Pliant pin ISO 8752 D8x50	1
5	2.009.0159	Pliant pin ISO 8752 D12X50	1
7	2.003.0008	Flat washer ISO 7089 - D16	1
9	2.002.0053	Locking nut ISO 7040 - M16	1



## Wheel assembly left

Cod. 5.005.0002

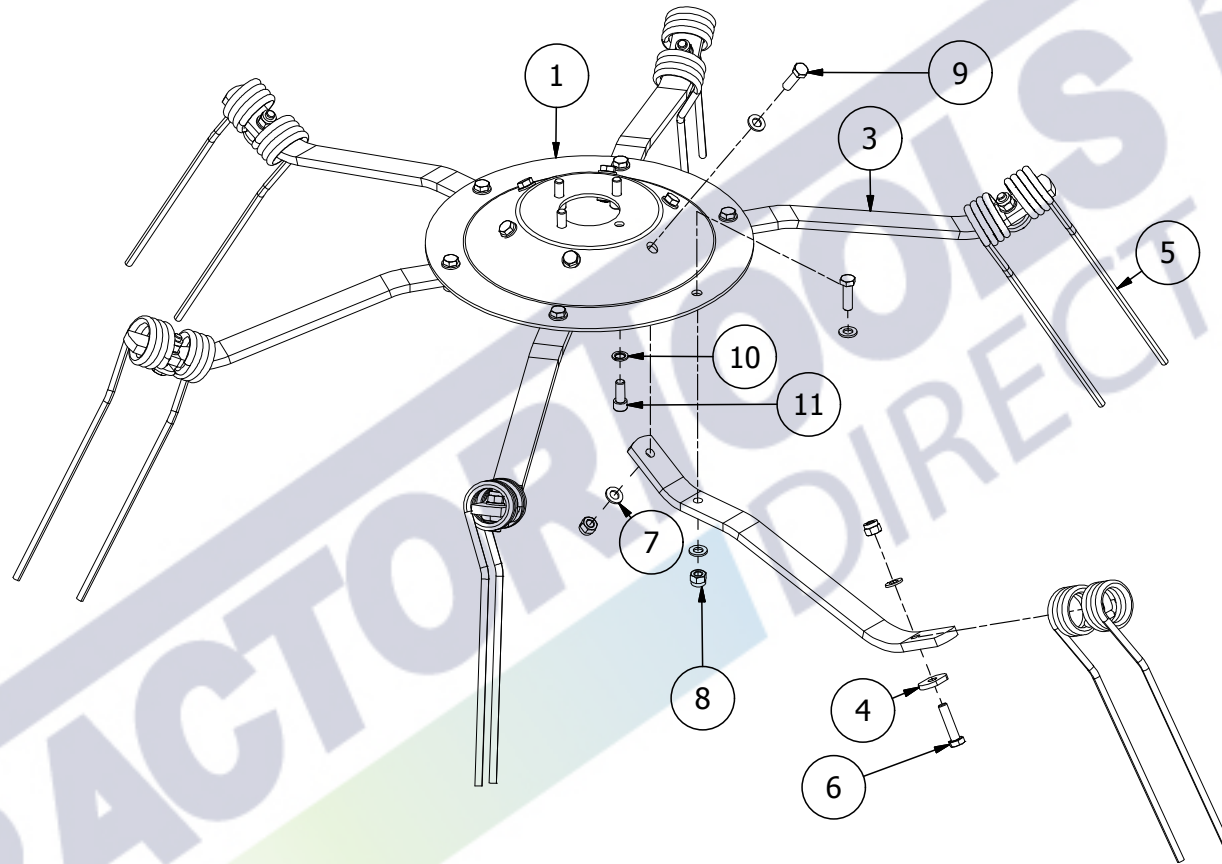
Pos.	Code	Description	Quantity
1	3.006.0002	Right leg	1
2	2.005.0001	Wheel D= 410 x 106	1
3	2.006.0001	Cap D50 for wheel	1
4	2.009.0104	Pliant pin ISO 8752 D8x50	1
5	2.009.0159	Pliant pin ISO 8752 D12X50	1
6	2.003.0008	Flat washer ISO 7089 - D16	1
7	2.002.0053	Locking nut ISO 7040 - M16	1



## Rotor group right

Cod. 5.001.0001

Pos.	Code	Description	Quantity
1	3.001.0001	Arms flange	1
3	3.002.0001	Straight arm- 6 arms	1
4	3.003.0001	Straight tine	1
5	3.005.0001	Tine holder	1
6	2.003.0006	Flat washer ISO 7089 D12	5
7	2.002.0051	Locking nut ISO 7040 M12	3
8	2.001.0339	Screw ISO 4010 M12X50	1
9	2.001.0088	Screw ISO 4017 M12X40	2
10	2.003.0020	Pliant washer DIN 128A - D12	4
11	2.001.0809	Screw ISO 4762 - M12x30	4

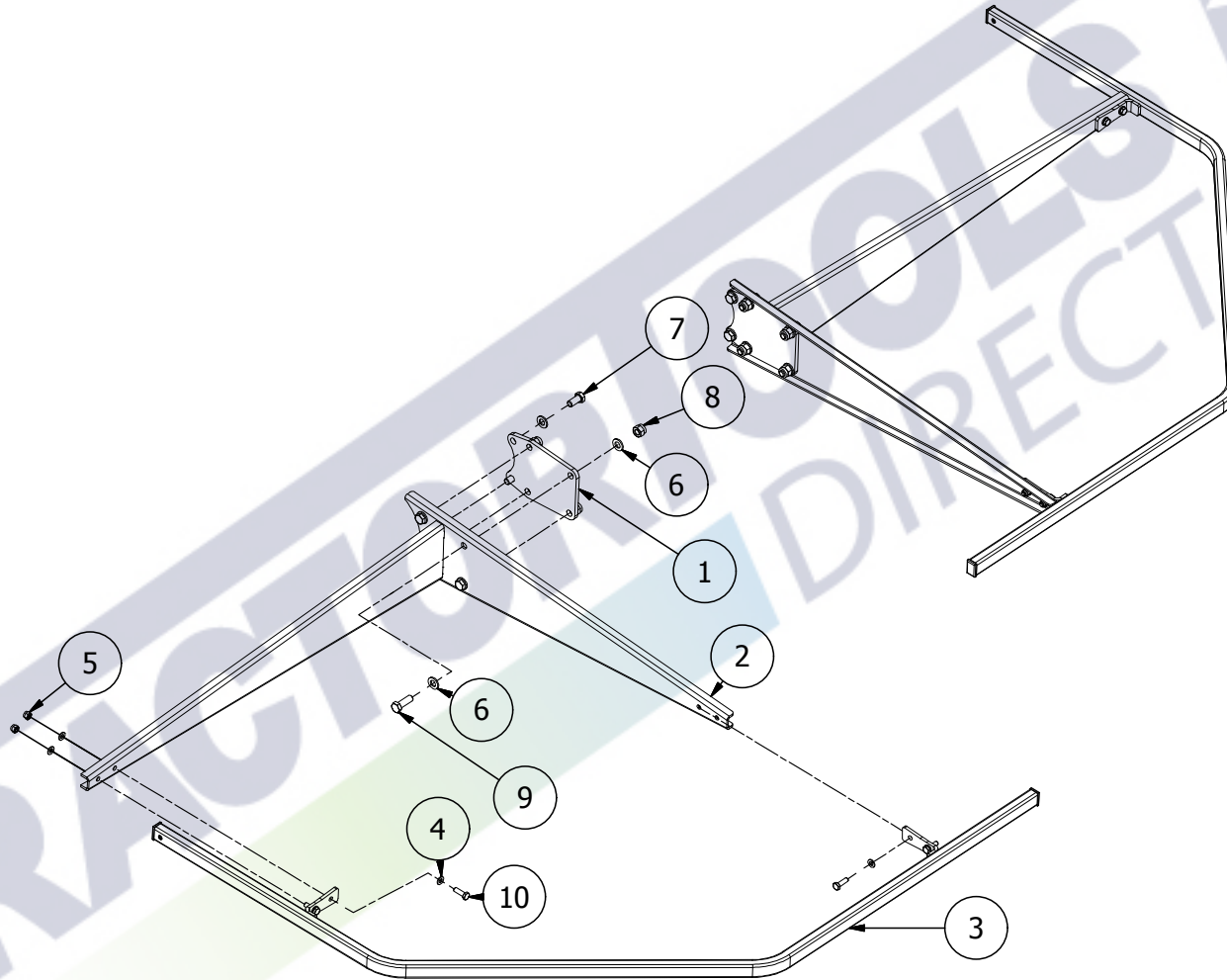




## Rotor group left

Cod. 5.001.0002

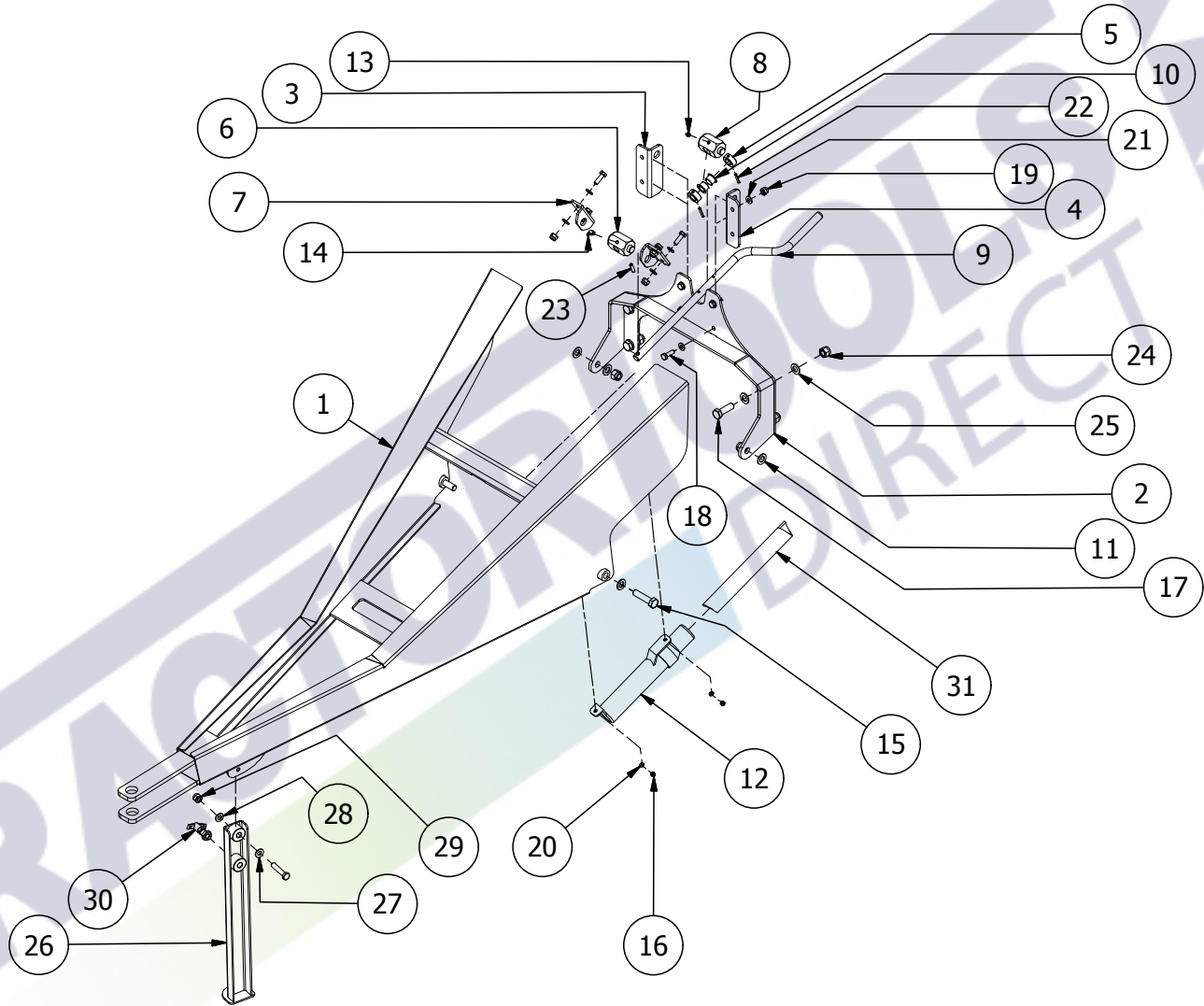
Pos.	Code	Description	Quantity
1	3.001.0001	Arms flange- 6 arms	1
2	5.003.0002	Arm Drosera 280 - left	6
3	3.002.0001	Straight arm	1
4	3.005.0001	Tine holder	1
5	3.003.0001	Straight tine	1
6	2.001.0339	Screw ISO 4010 M12X50	1
7	2.003.0006	Flat washer ISO 7089 D12	5
8	2.002.0051	Locking nut ISO 7040 M12	3
9	2.001.0088	Screw ISO 4017 M12X40	2
10	2.003.0020	Pliant washer DIN 128A - D12	4
11	2.001.0809	Screw ISO 4762 - M12X30	4



## Protections group

Cod. 5.007.0001

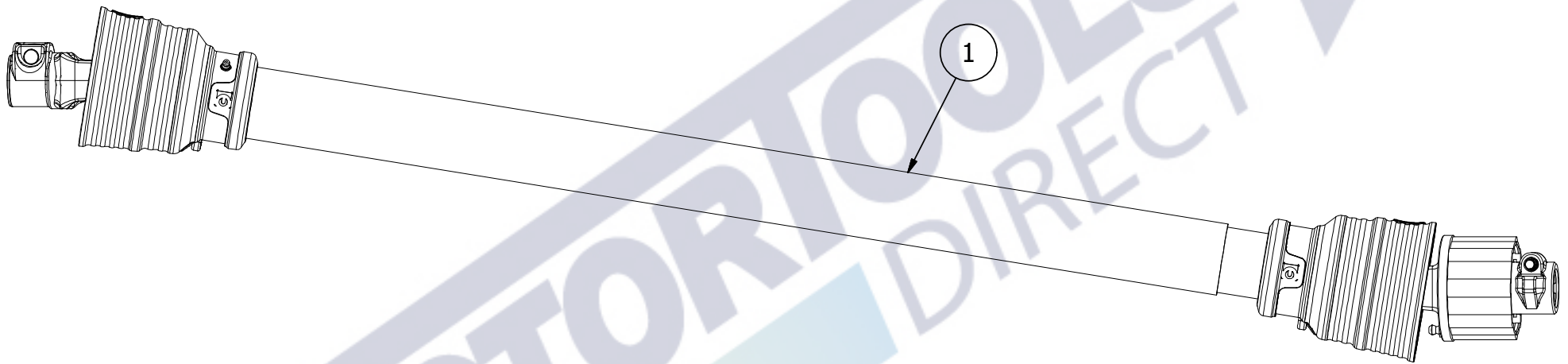
Pos.	Code	Description	Quantity
1	3.013.0001	Clamp for guards	2
2	3.013.0002	Guard Drosera 280	2
3	3.013.0005	Assembly guards with plastic cap	2
4	2.003.0004	Flat washer ISO 7089 D8	16
5	2.002.0049	Locking nut ISO 7040 M8	8
6	2.003.0006	Flat washer ISO 7089 D12	20
7	2.001.0085	Screw ISO 4017 M12X25	4
8	2.002.0051	Locking nut ISO 7040 M12	8
9	2.001.0087	Screw ISO 4017 12X35	8
10	2.001.0042	Screw ISO 4017 M8X25	8



## Shooting towing

Cod. 5.006.0001

Pos.	Code	Description	Quantity
1	3.009.0002	Drawbar Drosera 280	1
2	3.009.0001	Frame for pull type Drosera 280	1
3	3.012.0042	Right clamp height regulation	1
4	3.012.0043	Left clamp height regulation	1
5	3.008.0017	Bush locking crank	2
6	3.010.0001	Soiral for pull type Drosera 280	1
7	3.012.0044	Clamp for height regulation	2
8	3.010.0002	Exagon for pull type Drosera 280	1
9	3.008.0018	Crank for hitch regulation	1
10	2.012.0004	Bush with collar 20-23-16 type PRMF SKF	2
11	2.003.0066	Washer ISO 7089 D16	2
12	2.010.0002	Canister De=56 L=320	1
13	2.013.0003	Greaser DIN 71412 M8X1 - A	1
14	2.013.0001	Greaser DIN 71412 M8X1 - B (45°)	1
15	2.001.0392	Screw ISO 4014 M16X65 - 8.8	2
16	2.002.0048	Locking nut ISO 7040 M6	2
17	2.001.0131	Screw ISO 4010 M16X50	4
18	2.001.0062	Screw ISO 4017 M10X30	8
19	2.002.0050	Locking nut ISO 7040 M10	8
20	2.003.0003	Flat washer ISO 7089 D6	2
21	2.003.0005	Flat washer ISO 7089 D10	16
22	2.009.0054	Pliant pin ISO 8752 - 5x35 A	2
23	2.009.0099	Pliant pin ISO 8752 -8X30 A	1
24	2.002.0053	Locking nut ISO 7040 - M16	6
25	2.003.0008	Flat washer ISO 7089 - D16	12
26	3.009.0005	Welded stand	1
27	2.003.0065	Spring 25x12x1.5	1
28	2.003.0006	Flat washer ISO 7089 D12	1
29	2.002.0051	Locking nut ISO 7040 M12	1
30	2.018.0002	Spring piston GN 817.4-10-12 BK cod. GN.34069	1
31	5.017.0001	Manual Drosera 280	1

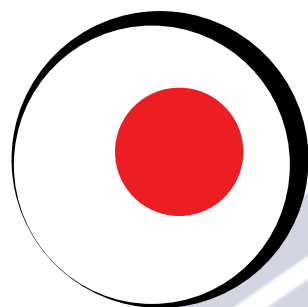


PTO shaft

Cod. 5.016.0001

Pos.	Code	Description	Quantity
1	5.016.0001	PTO shaft	1

TRACTORTOOLS  
DIRECT



**damilano**  
**group**

**MAINTENANCE-REPAIR AND OPERATING HAND BOOK**  
OPERATING MANUAL SPARE PARTS CATALOGUE



**CONTACT**

service@terra-implements.it  
tel. 01714142  
www.terra-implements.it  
ITALY