

File n° 7.004.0005

SARRACENIA 130

PART LIST





MAINTENANCE-REPAIR AND OPERATING HAND BOOK
OPERATING MANUAL SPARE PARTS CATALOGUE



SPARE PARTS

When ordering spare parts, it is important that you indicate the type and serial number of your machine.
Use only genuine Terra Implements parts.
Complete the type and serial number.
This is an easy reference with a view to future spare parts ordering.

PIECES DE RECHANGE

En commandant des pièces de rechange il importe que vous indiquiez les numéros de type et de série de votre machine. N'utiliser que des pièces d'origines Terra Implements.
Veuillez noter, ci-dessous, les numéros de type et de serie.
Ceci est important pour toutes commandes de pièces de refiechange.

PIEZAS DE REPUESTO

Cuando ordene piezas de repuesto, es importante que indiqués el tipo y número de serie de su máquina.
Utilice sólo piezas de Terra Implements.
Completar el tipo y número de serie.
Esto es una referencia fácil para futuros recambios pedidos.



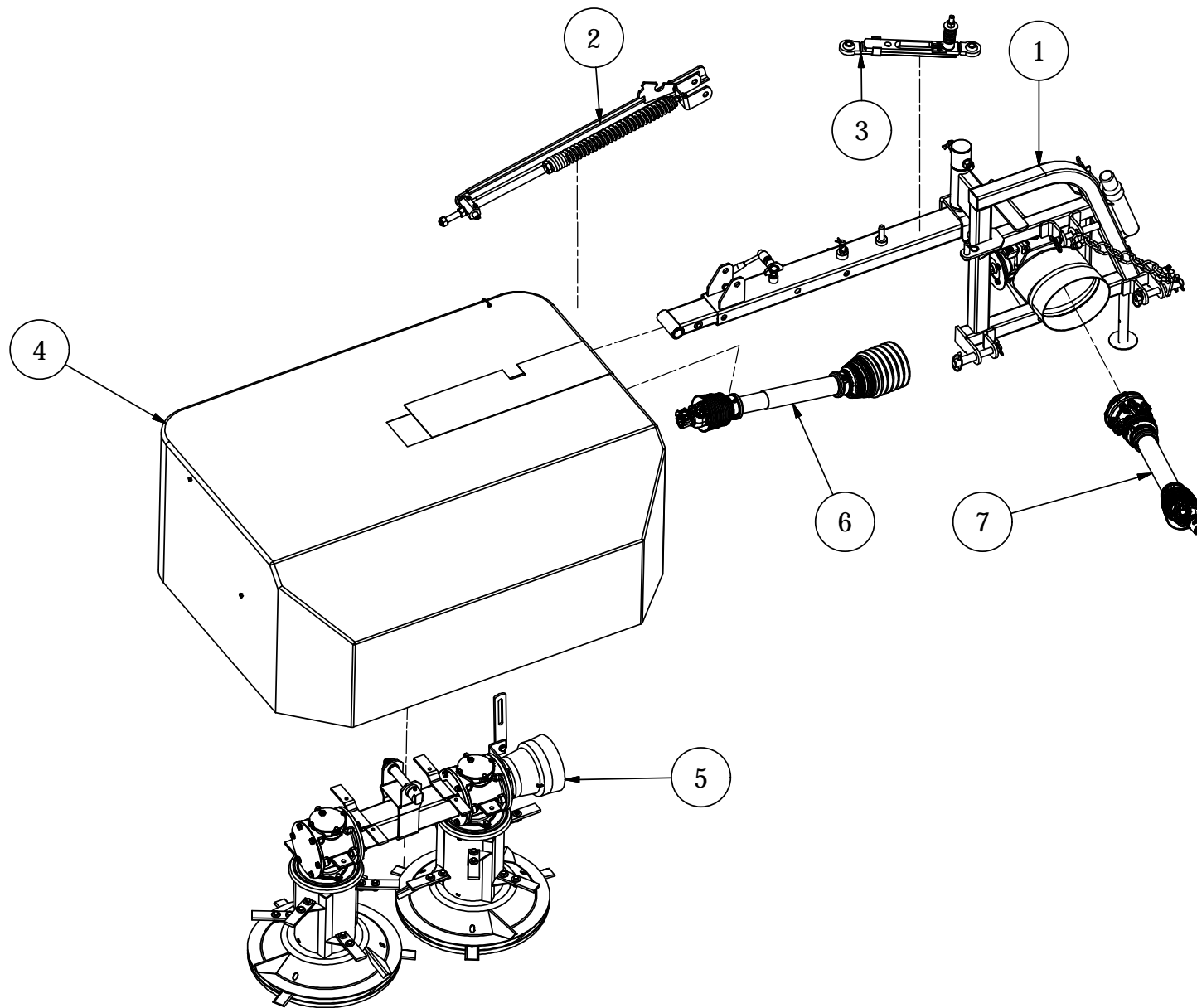
by DAMILANO GROUP srl
Via Fratelli Ceirano, 19/21
Cuneo - 12100 - (CN)
Italy
Tel.: +39 0171 414142
Fax.: +39 0171 414219

Modello:

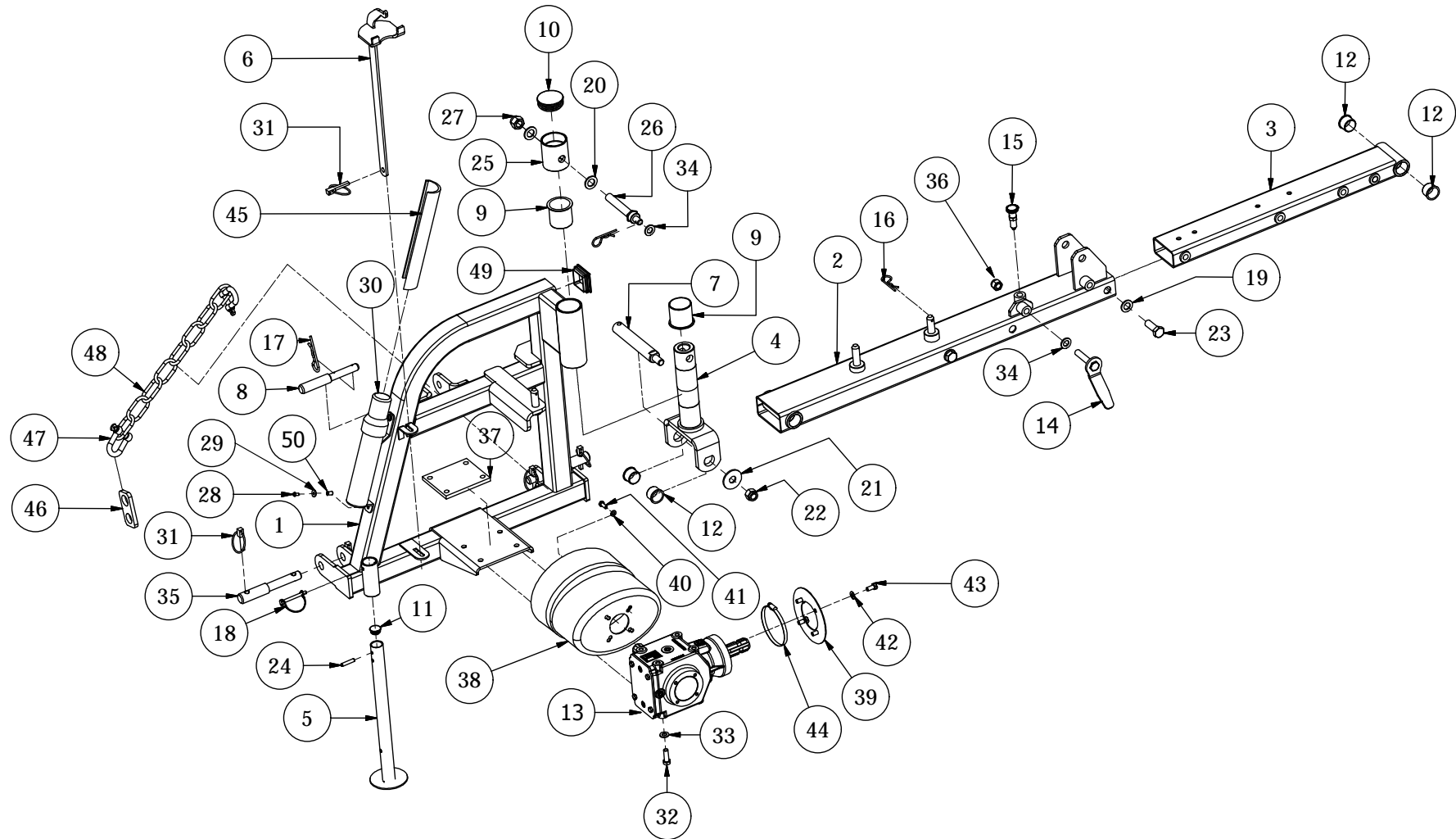
N°:

Massa:





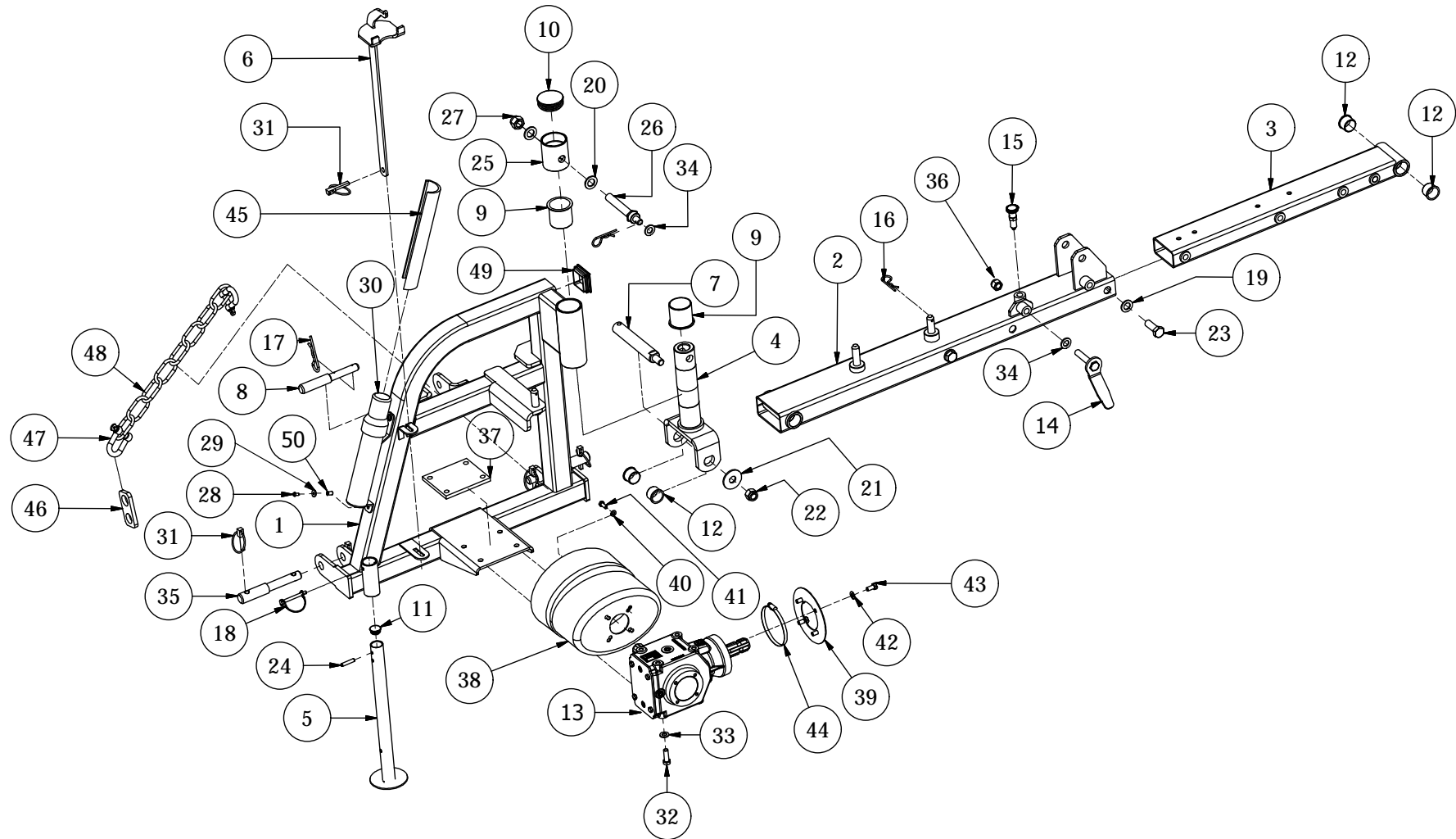
Pos.	Code	Description	Quantity
1	5.013.0008	Connecting frame	1
2	5.015.0001B	Suspension group	1
3	5.014.0001	Security disengage	1
4	5.007.0003B	Guards assembly drum mower 130	1
5	5.012.0003	Cutter bar group for drum mower 130	1
6	5.016.0003	Intermediate PTO shaft	1
7	5.016.0002	PTO shaft	



Connecting frame

Cod. 5.013.0008

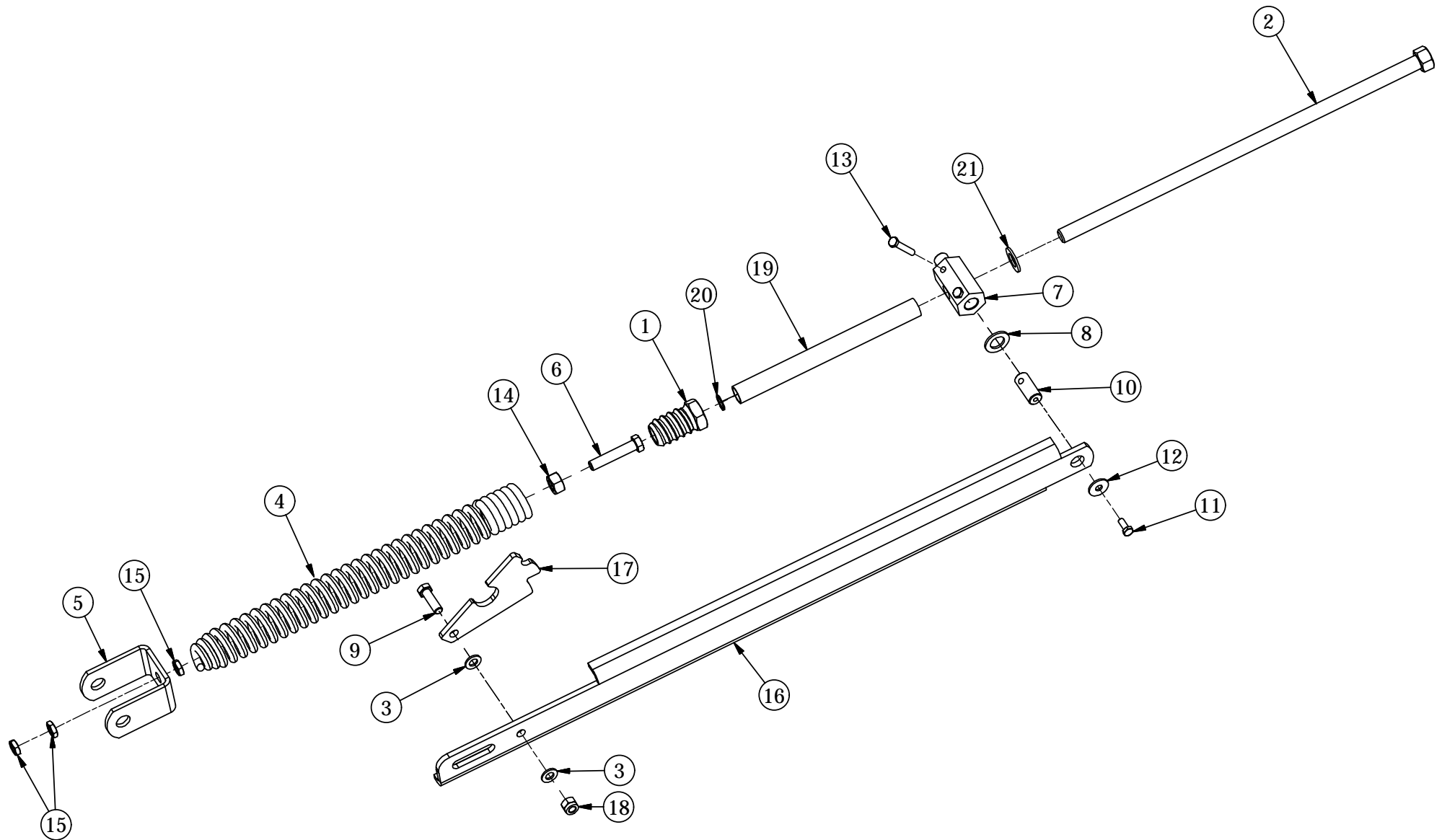
Pos.	Code	Description	Quantity
1	4.001.0001	3 point hich for drums mower 130	1
2	4.002.0001B	Support beam	1
3	4.002.0010	Support beam	1
4	4.003.0001	"T" pin	1
5	4.008.0001	Support foot	1
6	4.007.0001	Tool to release blades	1
7	3.008.0002	Arm pin D32	1
8	4.003.0004	Upper pin	1
9	2.012.0002	Bushing WFM-5560-60	2
10	2.015.0001	Plastic cap	1
11	2.015.0009	Plastic cap	1
12	2.012.0003	Bushing WFM-3236-26	4
13	5.009.0009	Angular gearbox	1
14	4.012.0045	Adjustable handle M16	1
15	2.018.0001	Indexing piston	1
16	2.009.0206	Cotter pin D3,5 L72	3
17	2.009.0207	Cotter pin D5 L105	1
18	2.009.0205	Spring pin D8 L80	1
19	2.003.0009	Flat washer ISO 7089 D18	2
20	2.003.0010	Flat washer ISO 7089 D20	2
21	2.003.0038	Wide Flat Washer ISO 7093/2 D20	1
22	2.002.0054	Self locking nut ISO 7040 M18	1
23	2.001.0154	Hex. Screw ISO 4017 M18x50	2
24	2.009.0102	Slotted spring pin ISO 8752 D8x40	1
25	3.007.0003	Bushing for "T" pin	1
26	3.008.0013	Fixing pin cap/fork	1
27	2.002.0055	Self locking nut ISO 7040 M20	1
28	2.001.0021	Vite TE ISO 4017 M6x20	2
29	2.003.0031	Wide Flat Washer ISO 7093/2 D6	2
30	2.010.0002	Canister	1
31	2.009.0208	Locking pin D11	5
32	2.001.0087	Hex. Screw ISO 4017 M12x35	4



Connecting frame

Cod. 5.013.0008

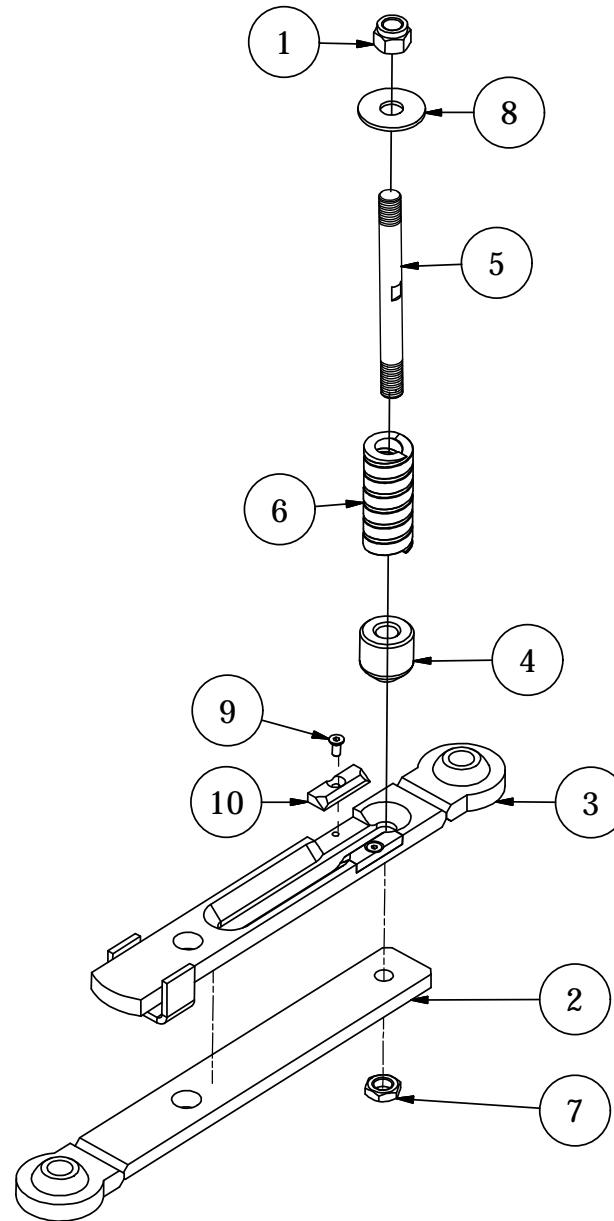
Pos.	Code	Description	Quantity
33	2.003.0006	Flat washer ISO 7089 D12	4
34	2.003.0008	Flat washer ISO 7089 D16	2
35	4.003.0007	Pin cat I and II	2
36	2.002.0053	Self locking Nut ISO 7040 UNI 7473 M16	1
37	3.012.0082	Plate	1
38	2.010.0016	PTO guard	1
39	3.012.0118	Plate	1
40	2.003.0004	Flat washer ISO 7089 D8	4
41	2.001.0040	Hex. Screw ISO 4017 M8x20	4
42	2.003.0005	Flat washer ISO 7093 D10	4
43	2.001.0059	Hex. Screw ISO 4017 M10x20	4
44	2.010.0009	Zip tie	1
45	7.003.0001	Manual Sarracenia 130	1
46	3.012.0159	Plate	1
47	2.031.0003	"D" shackle	2
48	2.031.0001	Chain	1
49	2.015.0013	Plastic cap	1
50	2.001.1041	Threaded insert M6 SP.4-6	2



Suspension group

Cod. 5.015.0001B

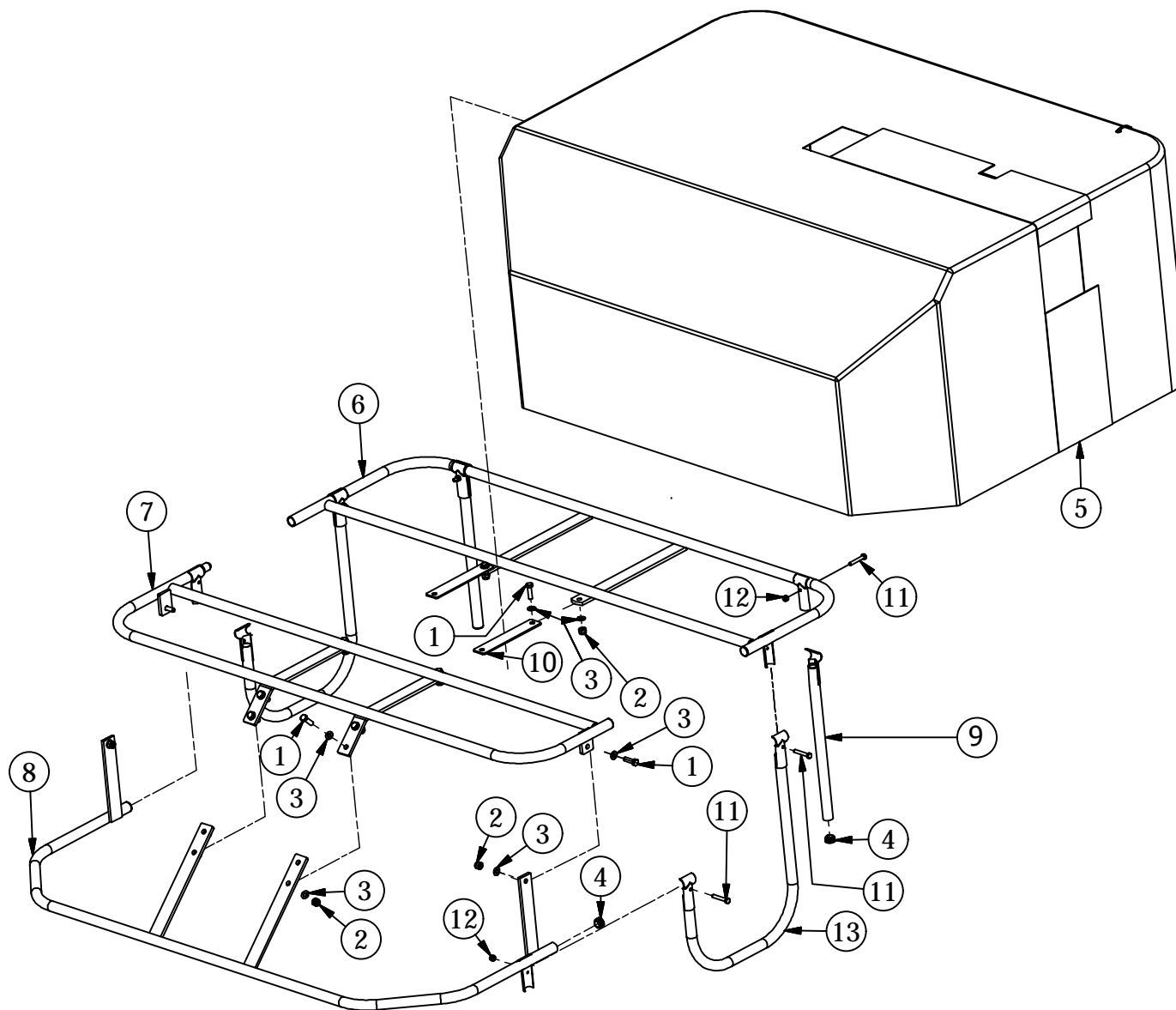
Pos.	Code	Description	Quantity
1	3.010.0003	Fixing spring hexagon	1
2	4.012.0031	Threaded bar with nut	1
3	2.003.0006	Flat Washer ISO 7089 D12	2
4	3.018.0001	Spring	1
5	3.012.0007	"C" support for spring	1
6	2.001.0367	Hex. Screw ISO 4014 M14x70	1
7	3.010.0004	Tension spring hexagon	1
8	2.003.0010	Flat Washer ISO 7089 D20	1
9	2.001.0088	Hex. Screw ISO 4017 M12x40	1
10	3.008.0022	Hexagon fixing pin	2
11	2.001.0040	Hex. Screw ISO 4017 M8x20	1
12	2.003.0033	Wide Flat Washer ISO 7093/2 D10	1
13	2.001.0046	Hex. Screw ISO 4017 M8x45	2
14	2.002.0009	Hex. Nut ISO 4032 M18	1
15	2.002.0031	Thin Nut ISO 4035 M14	3
16	3.012.0008	Spring locker	1
17	3.012.0009	Locking hook spring	1
18	2.002.0051	Self locking Nut ISO 7040 UNI 7473 M12	1
19	3.007.0122	Spring tension limiter	1
20	2.021.0012	Seeger ring for shaft DIN 471-20X1,2	1
21	2.003.0068	Brass Washer ISO 7089 D20	1



Security disengage

Cod. 5.014.0001

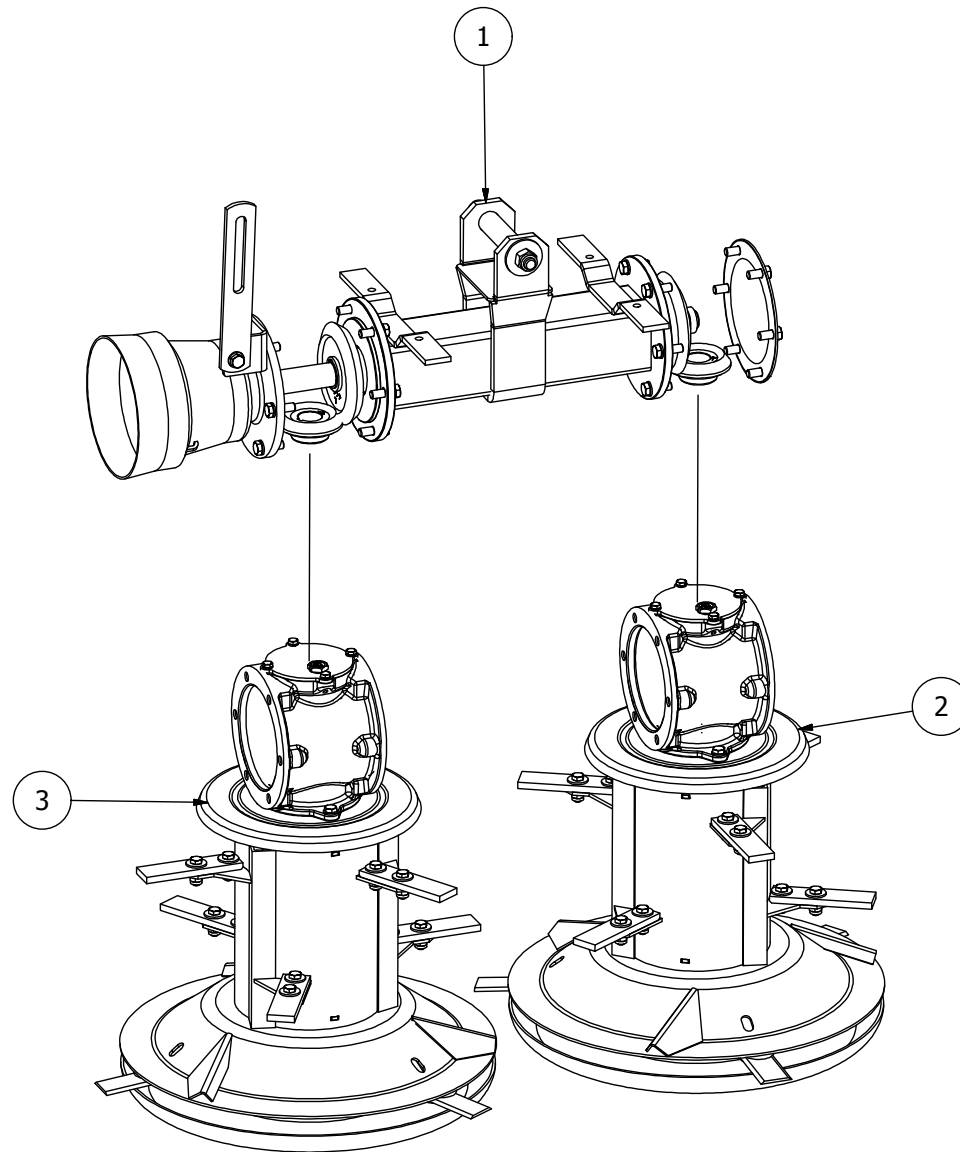
Pos.	Code	Description	Quantity
1	2.002.0053	Self locking Nut ISO 7040 UNI 7473 M16	1
2	4.011.0002	Hole plate	1
3	4.011.0001	Eyelet plate	1
4	4.003.0005	Adjustable pin	1
5	3.015.0012	Threaded bar	1
6	3.018.0011	Special spring	1
7	2.002.0032	Thin Nut ISO 4035 M16	1
8	2.003.0036	Wide Flat Washer ISO 7093/2 D16	1
9	2.001.0599	Socket Cap Screw ISO 10642 M6x14	2
10	3.017.0005	Metallic insert	2



Guards assembly drum mower 130

Cod. 5.007.0003B

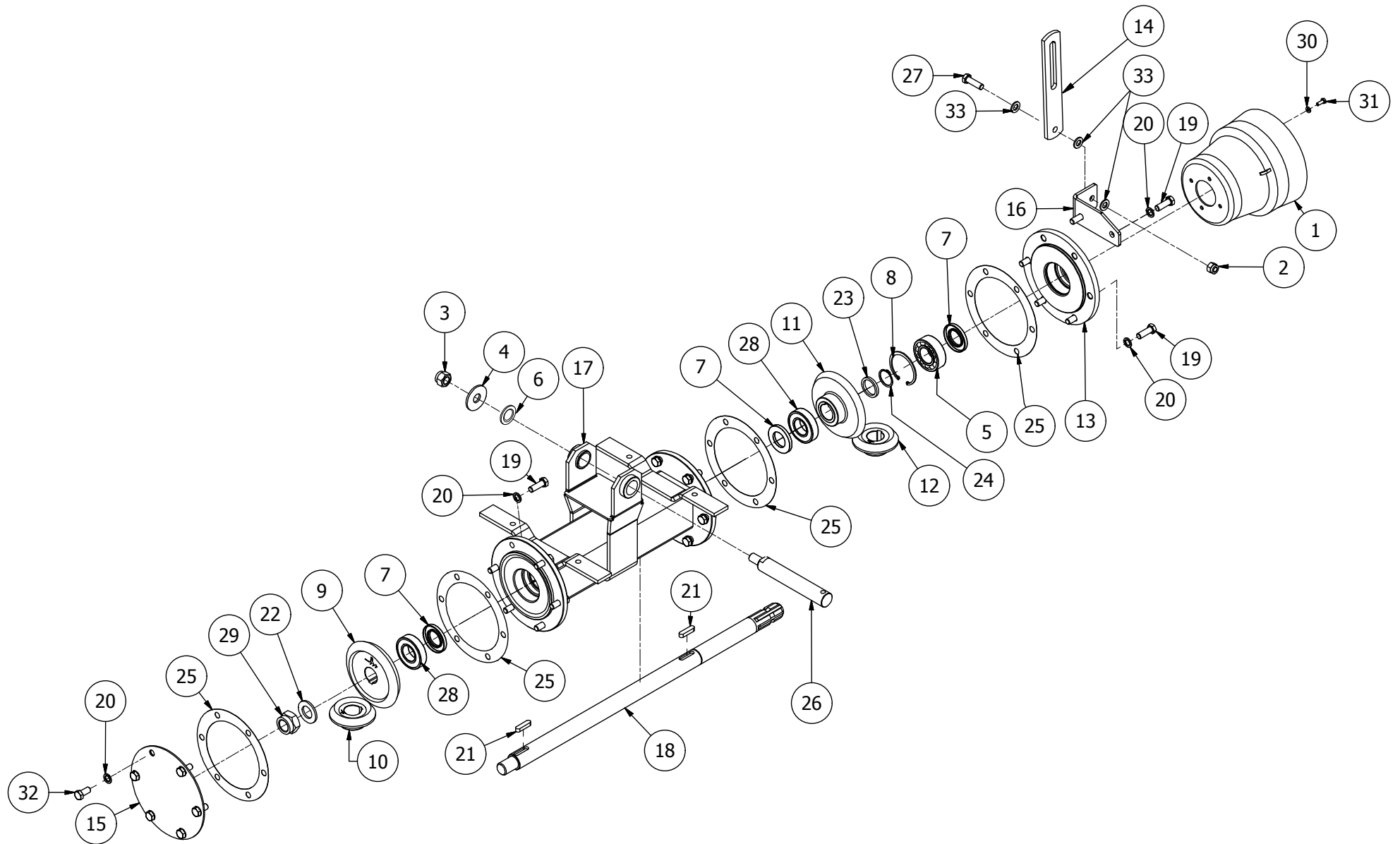
Pos.	Code	Description	Quantity
1	2.001.0063	Hex. Screw ISO 4017 M10x35	10
2	2.002.0050	Self locking nut ISO 7040 M10	10
3	2.003.0005	Flat washer ISO 7089 D10	20
4	2.015.0005	Plastic cap	6
5	3.019.0001	Plastic cover	1
6	4.005.0001	Rear frame guard for drum mower 130	1
7	4.005.0002	Front frame guard for drum mower 130	1
8	4.005.0003	Extension front frame guard drum mower 130	1
9	4.012.0015	Steel pipe L=440	2
10	3.012.0170	Plate	2
11	2.001.0290	Hex. Screw ISO 4014 M8x50	6
12	2.002.0049	Self locking nut ISO 7040 M8	6
13	4.012.0028	Guard pie	2



Cutter bar group for drum mower 130

Cod. 5.012.0003

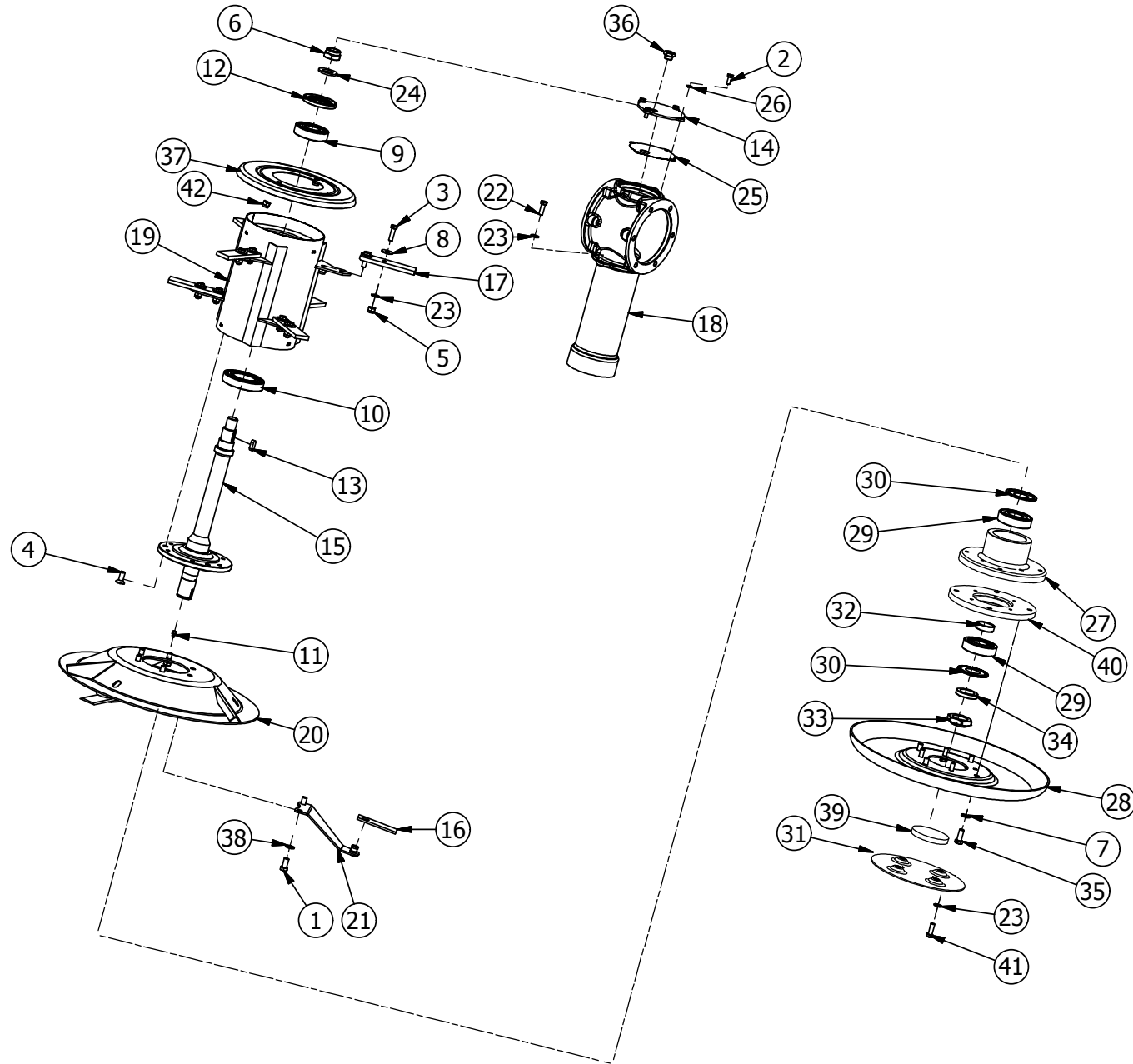
Pos.	Code	Description	Quantity
1	5.010.0063	Crossbar gearbox for drum mower 130	1
2	5.010.0061	Left drum gearbox for drum mower 130	1
3	5.010.0062	Right drum gearbox for drum mower 130	1



Crossbar gearbox

Cod. 5.010.0063

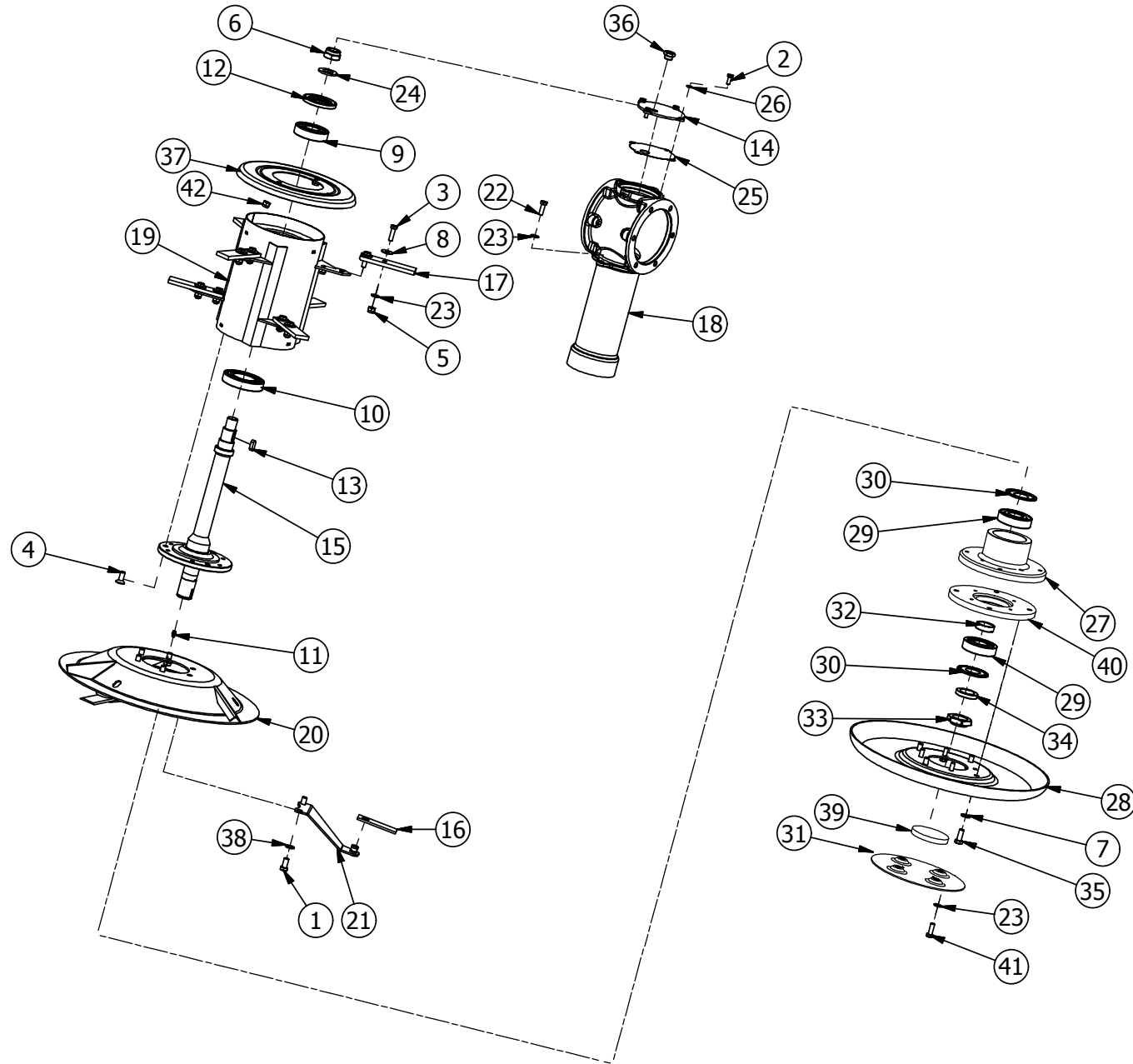
Pos.	Code	Description	Quantity
1	2.010.0012	PTO guard	1
2	2.002.0051	Self locking nut ISO 7040 M12	1
3	2.002.0054	Self locking nut ISO 7040 M18	1
4	2.003.0038	Wide flat washer ISO 7093/2 D20	1
5	2.004.0003	Self-aligning ball bearing 2207 TV (35-72-23)	1
6	2.003.0085	Spacer washer DIN 988 PS 32x45x2	1
7	2.020.0001	Sealing ring DIN 3760 - AS - 35 x 62 x 7 - NBR	3
8	2.021.0001	Seeger ring for holes DIN 472 - 72x2,5	1
9	3.004.0004	Right Conical gear M4 Z37	1
10	3.004.0005	Left Conical gear M4 Z23	1
11	3.004.0006	Left Conical gear M4 Z37	1
12	3.004.0007	Right Conical gear M4 Z23	1
13	3.008.0008	ObliqueRoller bushing support flange	1
14	3.012.0002	Locking tilting plate for cutting bar	1
15	3.012.0004	Plate	1
16	3.012.0005	Support for locking tilting plate	1
17	4.006.0012	Crossbar drum mower 130	1
18	3.014.0003	Crossbar shaft drum mower 130	1
19	2.001.0087	Hex. Screw ISO 4017 M12x35	18
20	2.003.0056	Split Washer DIN 127B UNI 1751 D12	24
21	2.022.0003	Key DIN 6885 - A 10 x 8 x 40	2
22	2.003.0013	Flat washer ISO 7089 D27	1
23	3.007.0022	Spacer 44.5-35-5	1
24	2.021.0002	Seeger ring for shaft DIN 471 - 35X1,5	1
25	3.025.0004	Sealing washer	4
26	3.008.0002	Arm pin D32	1
27	2.001.0088	Hex. Screw ISO 4017 M12x40	1
28	2.004.0001	Ball bearing 6207 2RS (35-72-17)	2
29	2.002.0081	Self locking Nut thin ISO 10511 fine pitch thread M27x2	1
30	2.003.0003	Flat washer ISO 7089 D6	4
31	2.001.0019	Hex. Screw ISO 4017 M6x16	4
32	2.001.0085	Hex. Screw ISO 4017 M12x25	6
33	2.003.0006	Flat washer ISO 7089 D12	3



Left drum gearbox for drum mower 130

Cod. 5.010.0061

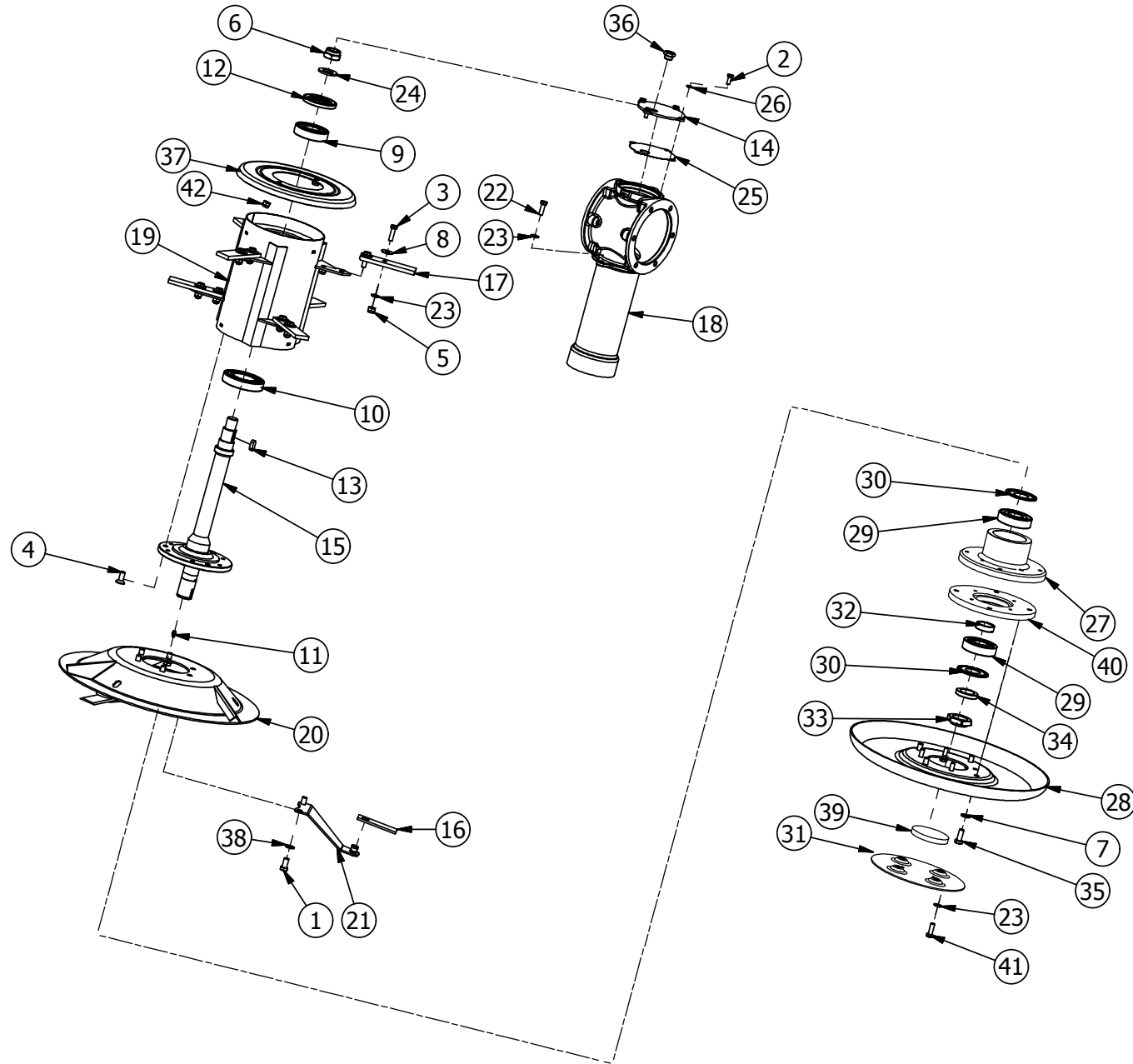
Pos.	Code	Description	Quantity
1	2.001.0085	Hex. Screw ISO 4017 M12x25	6
2	2.001.0040	Hex. Screw ISO 4017 M8x20	4
3	2.001.0063	Hex. Screw ISO 4017 M10x35	12
4	2.001.0647	Socket Cap Screw ISO 10642 M12x30	3
5	2.002.0050	Self locking Nut ISO 7040 UNI 7473 M10	12
6	2.002.0103	Self locking Nut thin UNI 7474 fine pitch thread M27x2	1
7	2.003.0006	Flat Washer ISO 7089 D12	8
8	2.003.0033	Wide Flat Washer ISO 7093/2 D10	12
9	2.004.0005	Ball bearing 6308 2RSR (40-90-23)	1
10	2.004.0006	Ball bearing 6212 2RSR (60-110-22)	1
11	2.013.0002	Greaser DIN 71412 -A M8x1,25	1
12	2.020.0002	Sealing ring DIN 3760 - AS - 90 x 55 x 10 -NBR	1
13	2.022.0001	Key DIN 6885 - A 10 x 8 x 28	1
14	3.012.0001B	Plate	1
15	3.014.0013B	Drive shaft drum mower - Left hand thread	1
16	3.016.0001	Cutting blade drum mower	3
17	3.017.0001	Flail blade drum mower 130	6
18	3.024.0001	Drum casting	1
19	4.004.0001	Drum for mower 130	1
20	4.009.0001	Left upper disc drum mower 130	1
21	4.010.0001	Leaf spring drum mower 130	3
22	2.001.0087	Hex. Screw ISO 4017 M12x35	2
23	2.003.0005	Flat Washer ISO 7089 D10	18
24	2.003.0013	Flat Washer ISO 7089 D27	1
25	3.025.0001	Sealing washer	1
26	2.003.0054	Split Washer DIN 127B UNI 1751 D8	4
27	3.008.0004B	Support flange Lower disc	1
28	3.001.0007	Lower disc for 130 drums mower	1
29	2.004.0007	Angular contact ball bearing 7308B TVP.UA (40-90-23)	2
30	2.035.0006	Metallic seal for bearing, Nilos 7308AVH	2



Left drum gearbox for drum mower 130

Cod. 5.010.0061

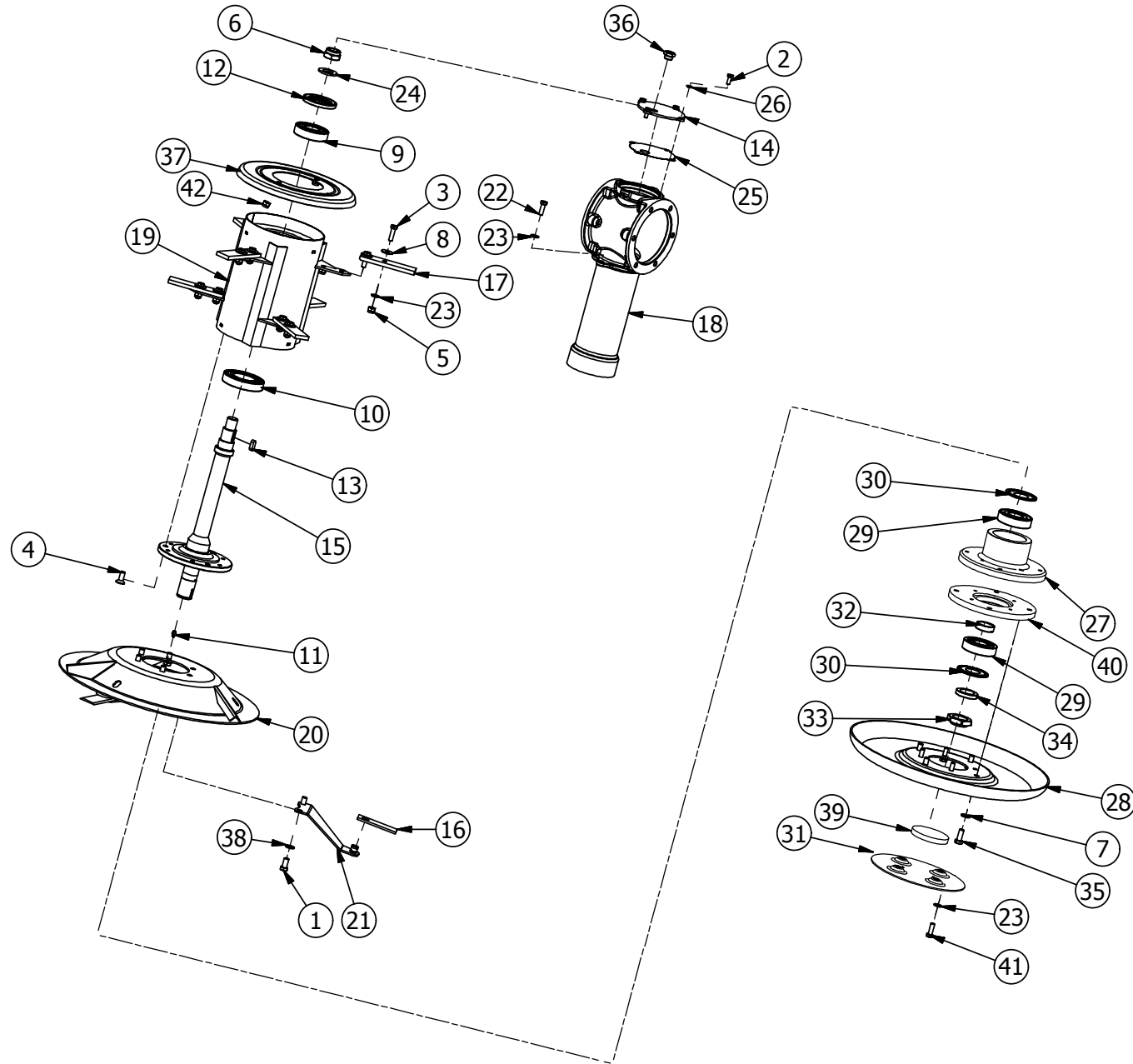
Pos.	Code	Description	Quantity
31	3.001.0010	Cap for lower disc	1
32	3.007.0164	Spacer	1
33	2.023.0005	Left ring nut M40x1,5	1
34	3.008.0060	Spacer h=10,5	1
35	2.001.0338	Hex. Screw ISO 4014 M12x45	4
36	2.015.0010	Oil fill plug	1
37	3.001.0002	Upper flange bar mower	1
38	2.003.0020	Lock Washer DIN 128A UNI 8839 D12	6
39	2.015.0027	Black rubber	1
40	3.008.0011	Lower disc spacer for drums mower 130	1
41	2.001.0059	Hex. Screw ISO 4017 M10x20	4
42	2.002.0051	Self locking Nut ISO 7040 UNI 7473 M12	2



Right drum gearbox for drum mower 130

Cod. 5.010.0062

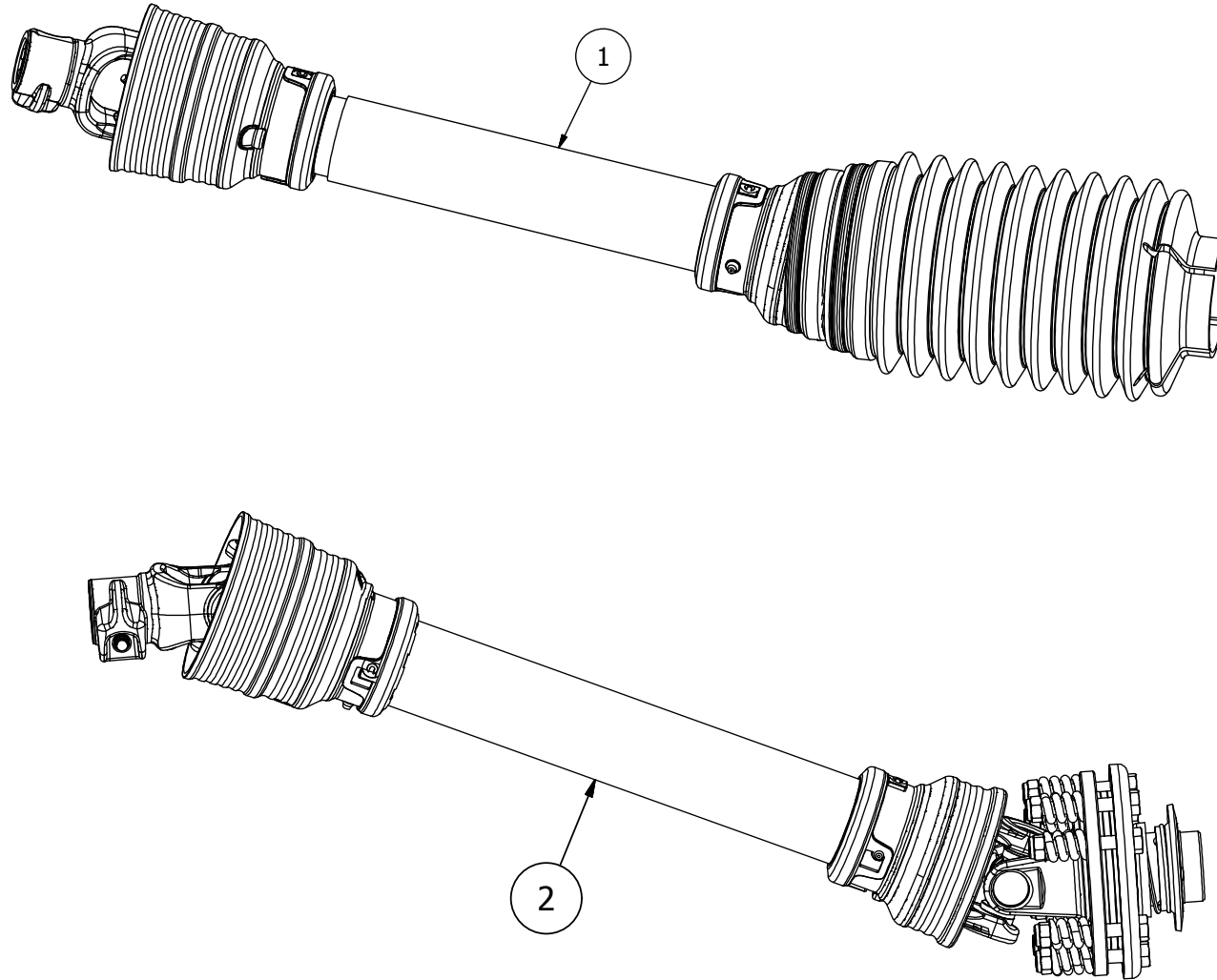
Pos.	Code	Description	Quantity
1	2.001.0085	Hex. Screw ISO 4017 M12x25	6
2	2.001.0040	Hex. Screw ISO 4017 M8x20	4
3	2.001.0063	Hex. Screw ISO 4017 M10x35	12
4	2.001.0647	Socket Cap Screw ISO 10642 M12x30	3
5	2.002.0050	Self locking Nut ISO 7040 UNI 7473 M10	12
6	2.002.0103	Self locking Nut thin UNI 7474 fine pitch thread M27x2	1
7	2.003.0006	Flat Washer ISO 7089 D12	8
8	2.003.0033	Wide Flat Washer ISO 7093/2 D10	12
9	2.004.0005	Ball bearing 6308 2RSR (40-90-23)	1
10	2.004.0006	Ball bearing 6212 2RSR (60-110-22)	1
11	2.013.0002	Greaser DIN 71412 -A M8x1,25	1
12	2.020.0002	Sealing ring DIN 3760 - AS - 90 x 55 x 10 -NBR	1
13	2.022.0001	Key DIN 6885 - A 10 x 8 x 28	1
14	3.012.0001B	Plate	1
15	3.014.0002B	Drive shaft drum mower - Right hand thread	1
16	3.016.0001	Cutting blade drum mower	3
17	3.017.0001	Flail blade drum mower 130	6
18	3.024.0001	Drum casting	1
19	4.004.0001	Drum for mower 130	1
20	4.009.0002	Right upper disc drum mower 130	1
21	4.010.0001	Leaf spring drum mower 130	3
22	2.001.0087	Hex. Screw ISO 4017 M12x35	2
23	2.003.0005	Flat Washer ISO 7089 D10	16
24	2.003.0013	Flat Washer ISO 7089 D27	1
25	3.025.0001	Sealing washer	1
26	2.003.0054	Split Washer DIN 127B UNI 1751 D8	4
27	3.008.0004B	Support flange Lower disc	1
28	3.001.0007	Lower disc for 130 drums mower	1
29	2.004.0007	Angular contact ball bearing 7308B TVP.UA (40-90-23)	2
30	2.035.0006	Metallic seal for bearing, Nilos 7308AVH	2



Right drum gearbox for drum mower 130

Cod. 5.010.0062

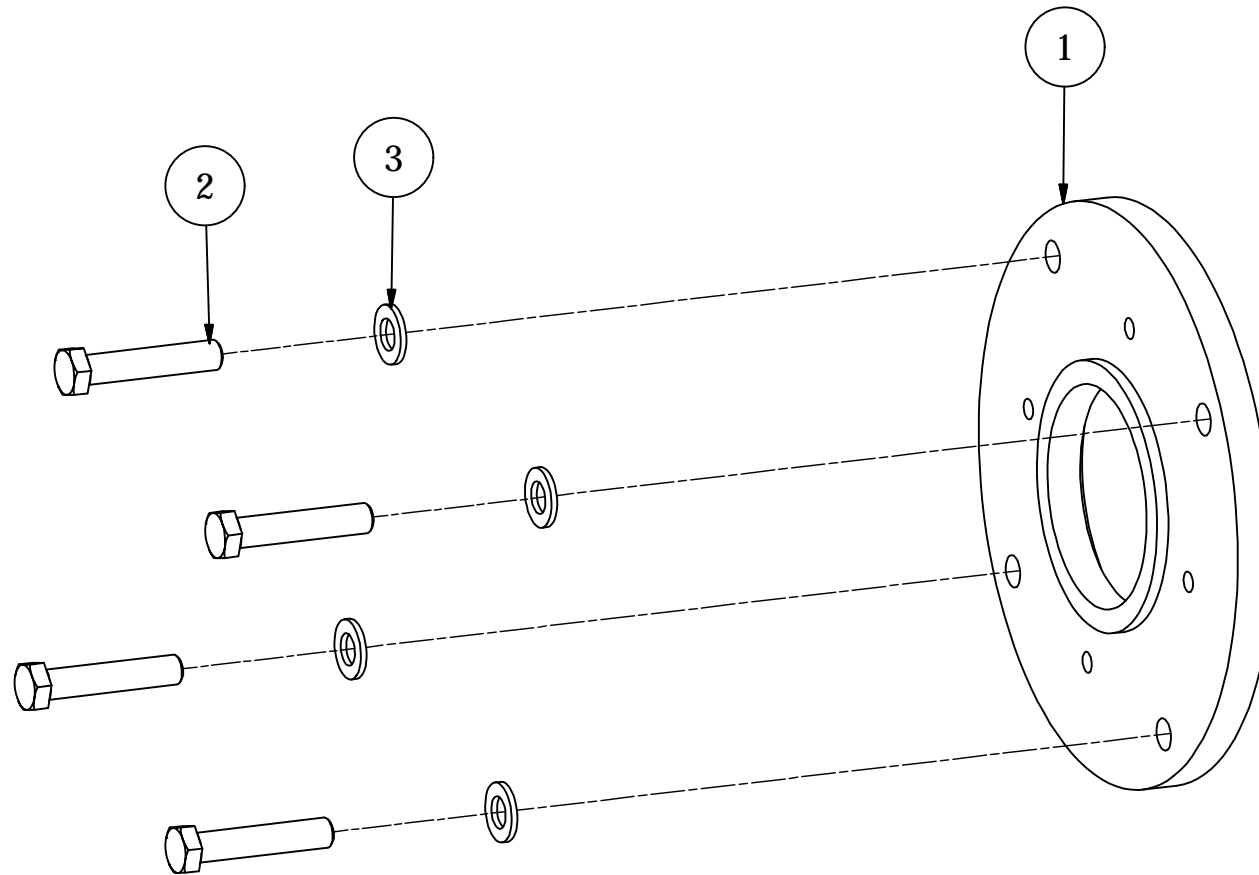
Pos.	Code	Description	Quantity
31	3.001.0010	Cap for lower disc	1
32	3.007.0164	Spacer	1
33	2.023.0004	Right ring nut M40x1,5	1
34	3.008.0060	Spacer h=10,5	1
35	2.001.0338	Hex. Screw ISO 4014 M12x45	4
36	2.015.0010	Oil fill plug	1
37	3.001.0002	Upper flange bar mower	1
38	2.003.0020	Lock Washer DIN 128A UNI 8839 D12	6
39	2.015.0027	Black rubber	1
40	3.008.0011	Lower disc spacer for drums mower 130	1
41	2.001.0059	Hex. Screw ISO 4017 M10x20	4
42	2.002.0051	Self locking Nut ISO 7040 UNI 7473 M12	2



PTO shaft

Cod. 5.016.0002

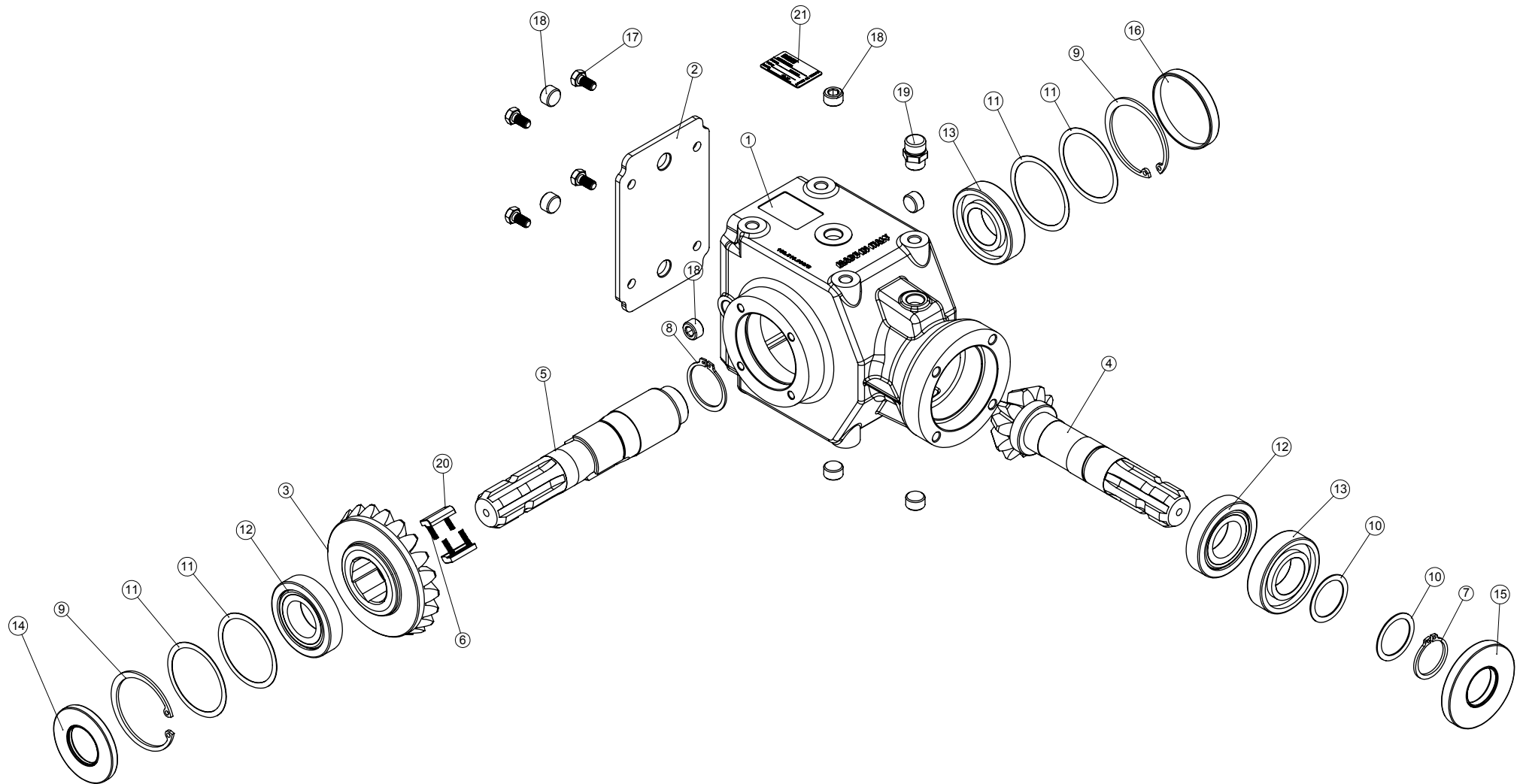
Pos.	Code	Description	Quantity
1	5.016.0003	Intermediate Pto shaft	1
2	5.016.0002	PTO shaft	1



Optional lift kit

Cod. 4.013.0020

Pos.	Code	Description	Quantity
1	3.008.0011	Flange H=15mm	4
2	2.001.0092	Hex. screw ISO 4017 M12x60	8
3	2.003.0006	Flat washer ISO 7089 D12	8



Pos.	Code	Description	Quantity
1	100.016.000	Cast Iron box	1
2	120.016.000	Cover plate Fe37	1
3	130.016.210.00	Crown Z21 M5,75 R1/2,10 RL	1
4	140.016.210.00	Pinion Z10 M5,75 R1/2,10 3/8Z6	1
5	150.005.001	Shaft 3/8Z6 RL DX	1
6	190.M.SP.RV RL	Free wheel spring	4
7	510.35.7436	Seeger Ø35 7436	1
8	510.42.7435	Seeger Ø42 7435	1
9	510.72.7437	Seeger Ø72 7437	2
10	530.35X45X1	Spacer 35*45*1 DIN988	2
11	530.RAM72.0,5	SpacerRAM.72 61*71*0,5	4
12	560.30207	Bushing 30207	2
13	560.6207	Bushing 6207	2
14	570.35X72X7.TC	Sealing ring 35*72*7.TC	1
15	570.35X80X10.TC	Sealing ring 35*80*10*TC	1
16	570.72x10.RCA	Cap 72x10 RCA	1
17	580.8X16.ES	Hex. screw 8*16	4
18	590.T.3-8.906	Oil plug G3/8 DIN906	7
19	590.TSVCO.3-8	Oil fill plug G3/8	1
20	600.016.000	Key RL L.30	2
21	TARGHETTA_BRM	Plate	1



MAINTENANCE-REPAIR AND OPERATING HAND BOOK
OPERATING MANUAL SPARE PARTS CATALOGUE



CONTACT

service@terra-implements.it
tel. +39 0171 4142
www.terra-implements.it
ITALY