



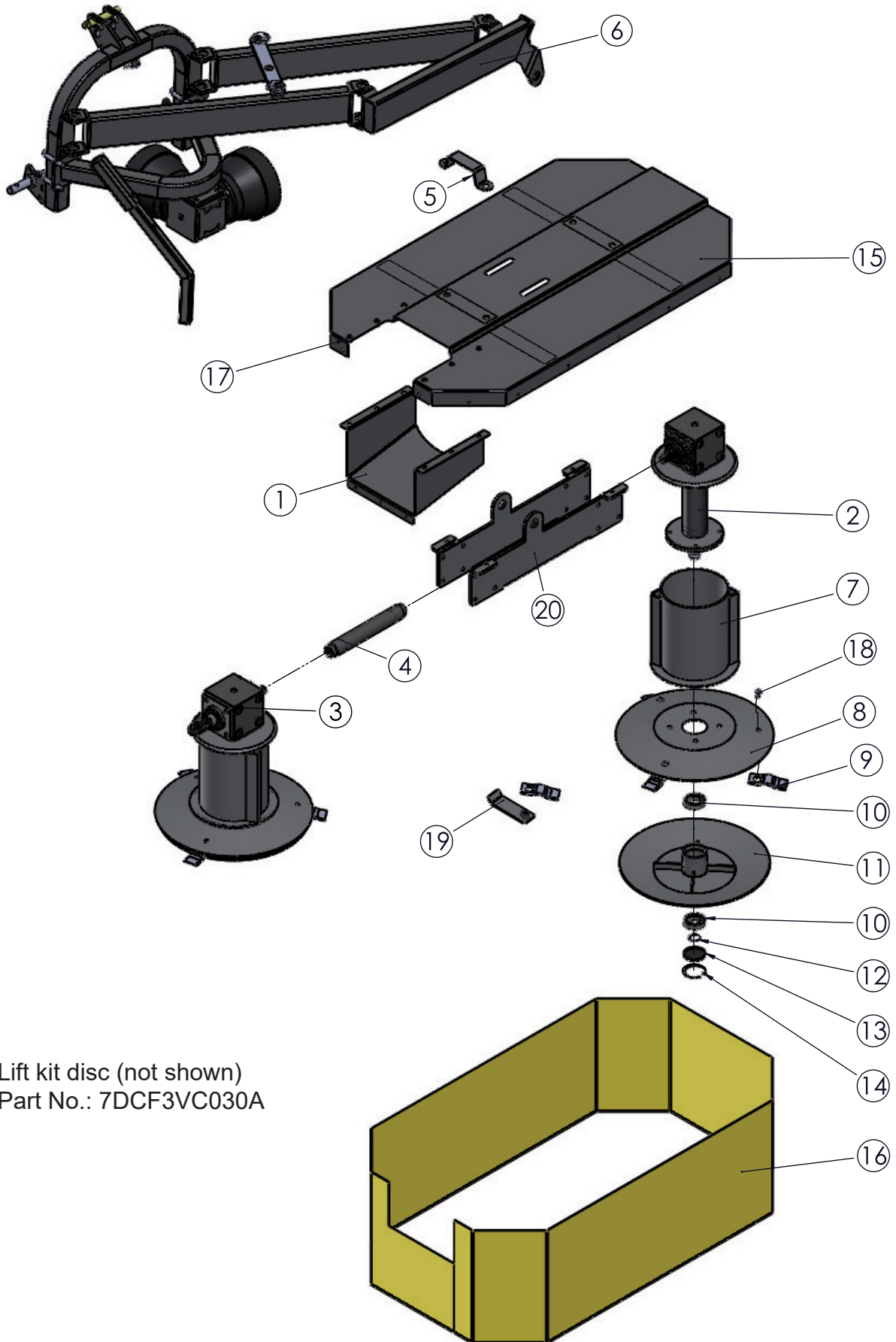
Parts Manual

Ibex Drum Mowers

Model: TX45



1. Side Rotary Mower



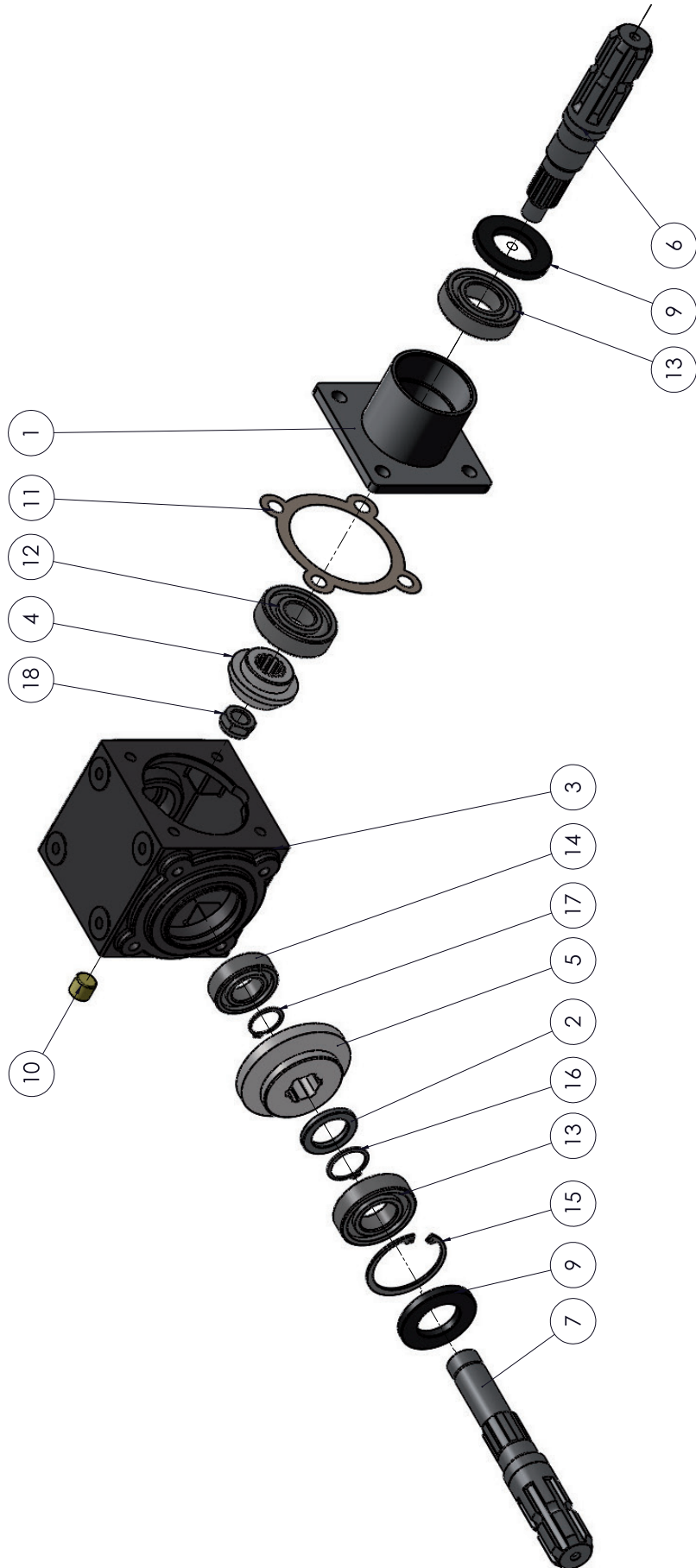
Lift kit disc (not shown)
Part No.: 7DCF3VC030A

1. Side Rotary Mower (cont.)



Ref. No.	Part No.	Description	Quantity
1	7CAF3VC006A	CARTER TFL-1150/1350	1
2	8BCSIVC001A	GEAR BOX	1
3	8BCSIVC002A	GEAR BOX	1
4	8BCDSZM003A	TRANSMISSION BUSH TFL-1150	1
5	7MNZNLA001A	HANDLE	1
6	8BCBLAA002A	SIDE ARM TFL-1150	1
7	800TMVC001A	DRUM CARRIAGE BLADE TFA/P-TFL	2
8	8BCRSVC002A	UPPER DISC TFL-1150	2
9	5204710721	BLADE	06-08
10	501006206S	BEARING 6206 2RS	4
11	8BCRIVC002A	LOWER DISC TFL-1150	2
12	418000300A	SHAFT CIRCLIP Ø30	2
13	5269900004	OIL SEAL Ø62×7	2
14	418000620F	HOLE CIRCLIP Ø62×2	2
15	8BCCFVC002A	BONNET TFL-1150	1
16	7TL00LA002A	CURTAIN GUARDTFL-1150	1
17	4190008C0C	BOLT M8	6
18	4058Z10020	SCREW M10×20	3
19	800PLFA001A	CARRIAGE BLADE	1
20	7TEF3LA004A	BODY RIGHT/LEFT TFL-1150	2

2. Cast Box

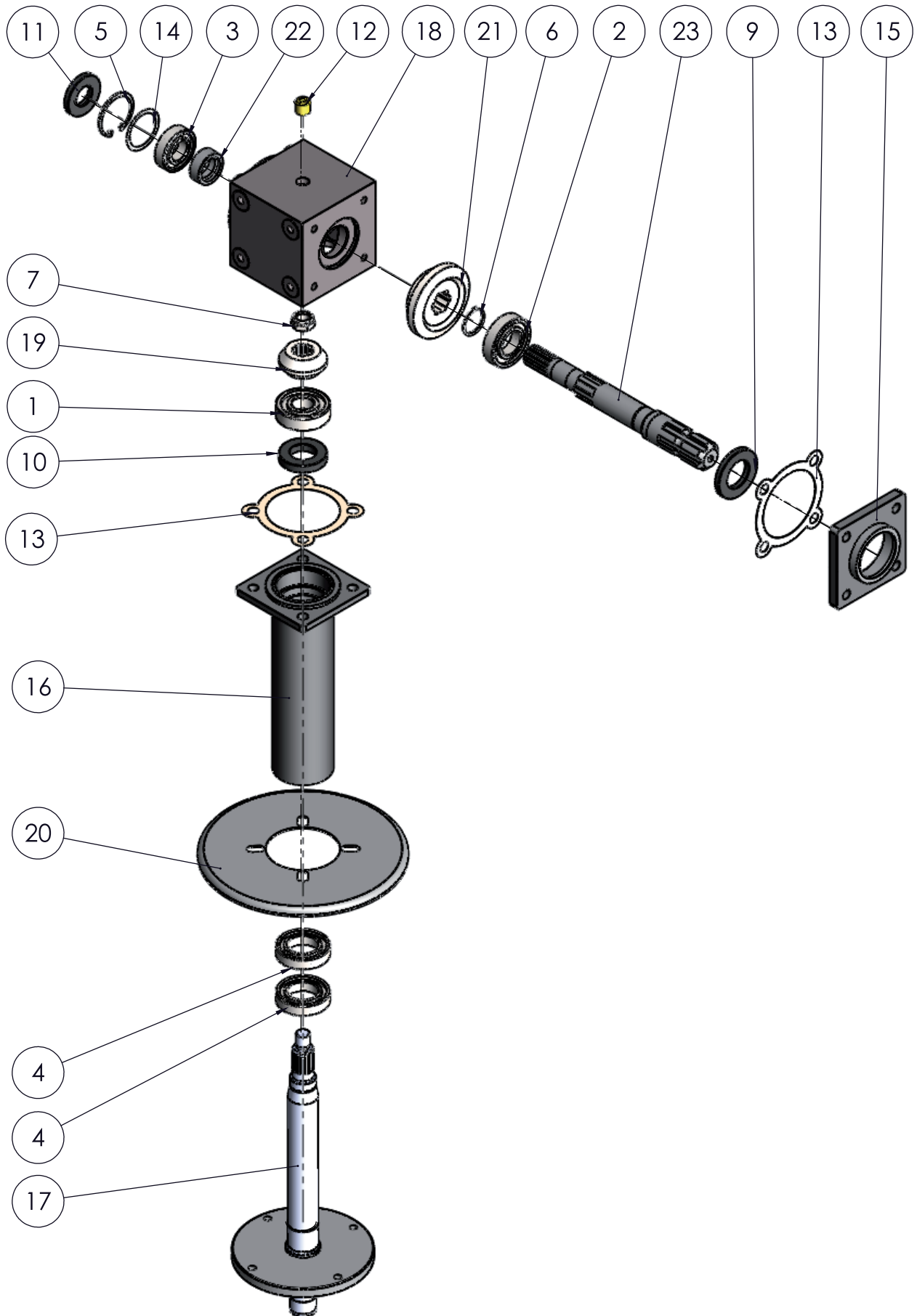


2. Cast Box (cont.)



Ref. No.	Part No.	Description	Quantity
1	8BBDSSA002A	SUPPORT SHAFT	1
2	7SPF3FA004A	SPACER	1
3	7SLGHFA001A	CAST BOX	1
4	7PG18TA002A	PINION Z10	1
5	7CO18TA004A	GEAR Z20	1
6	7ABF3TA004A	OUTPUT SHAFT	1
7	7ABF3TA003A	INPUT SHAFT	1
8	525SAE90EP	OIL SAE 90	0,4
9	519S356207	SEAL RING 35-62-7	2
10	517O130380	OIL TAP 3/8"	1
11	513G128080	GASKET	1
12	5010063050	BEARING 6305	1
13	5010062060	BEARING 6206	2
14	5010062050	BEARING 6205	1
15	418000620F	HOLE CIRCLIP Ø62×2	1
16	418000300A	SHAFT CIRCLIP Ø30×1.5	1
17	418000250A	SHAFT CIRCLIP Ø25×1,5	1
18	4138Z16AFB	NUT M16 MA	1

3. Internal Cast Box

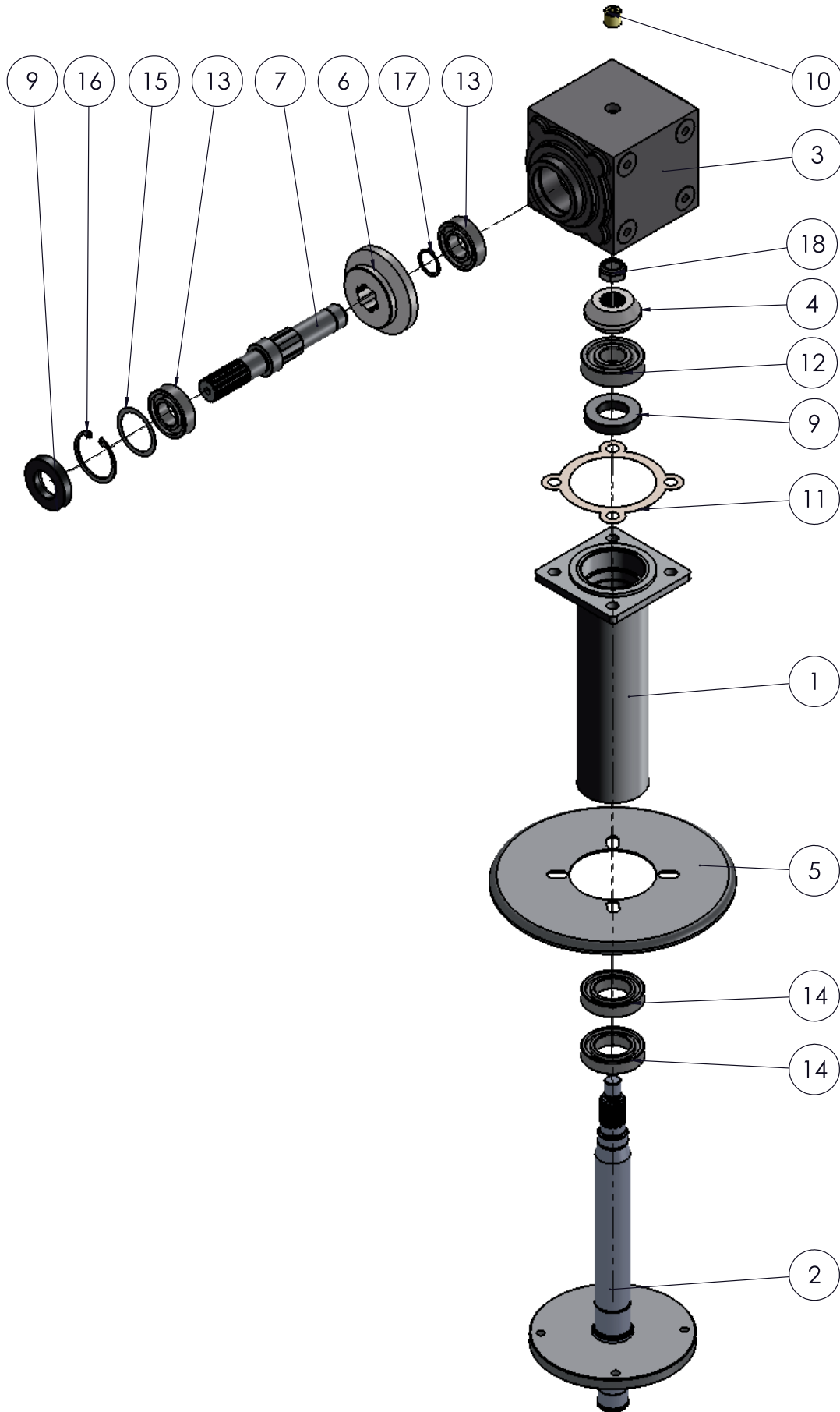


3. Internal Cast Box (cont.)



Ref. No.	Part No.	Description	Quantity
1	5010063050	BEARING 6305	1
2	5010062060	BEARING 6206	1
3	5010062050	BEARING 6205	1
4	501006007S	BEARING 6007 2RS	2
5	418000520F	HOLE CIRCLIP Ø52×2	1
6	418000300A	SHAFT CIRCLIP Ø30×1.5	1
7	4138Z16AFB	NUT M16 MA	1
8	525SAE90EP	OIL SAE 90 EP	0,4
9	519S356207	SEAL RING 35-62-7	1
10	519S305510	SEAL RING 30-55-10	1
11	519S255207	SEAL RING 25-52-7	1
12	517O130380	OIL TAP	1
13	513G128080	GASKET	2
14	430A524205	SPACER ØE52 Øi42×0.5	1
15	8BCSPSA001A	BEARING SUPPORT	1
16	8BCDSSA002A	SUPPORT CARRIAGE BLADE SHAFT	1
17	8BCALSA001A	CARRIAGE BLADE SHAFT	1
18	7SLGHFA007A	CAST BOX	1
19	7PG18TA002A	PINION Z10	1
20	7DCF3FA010A	COVER PROTECTION	1
21	7CO18TA004A	GEAR Z20	1

4. External Cast Box

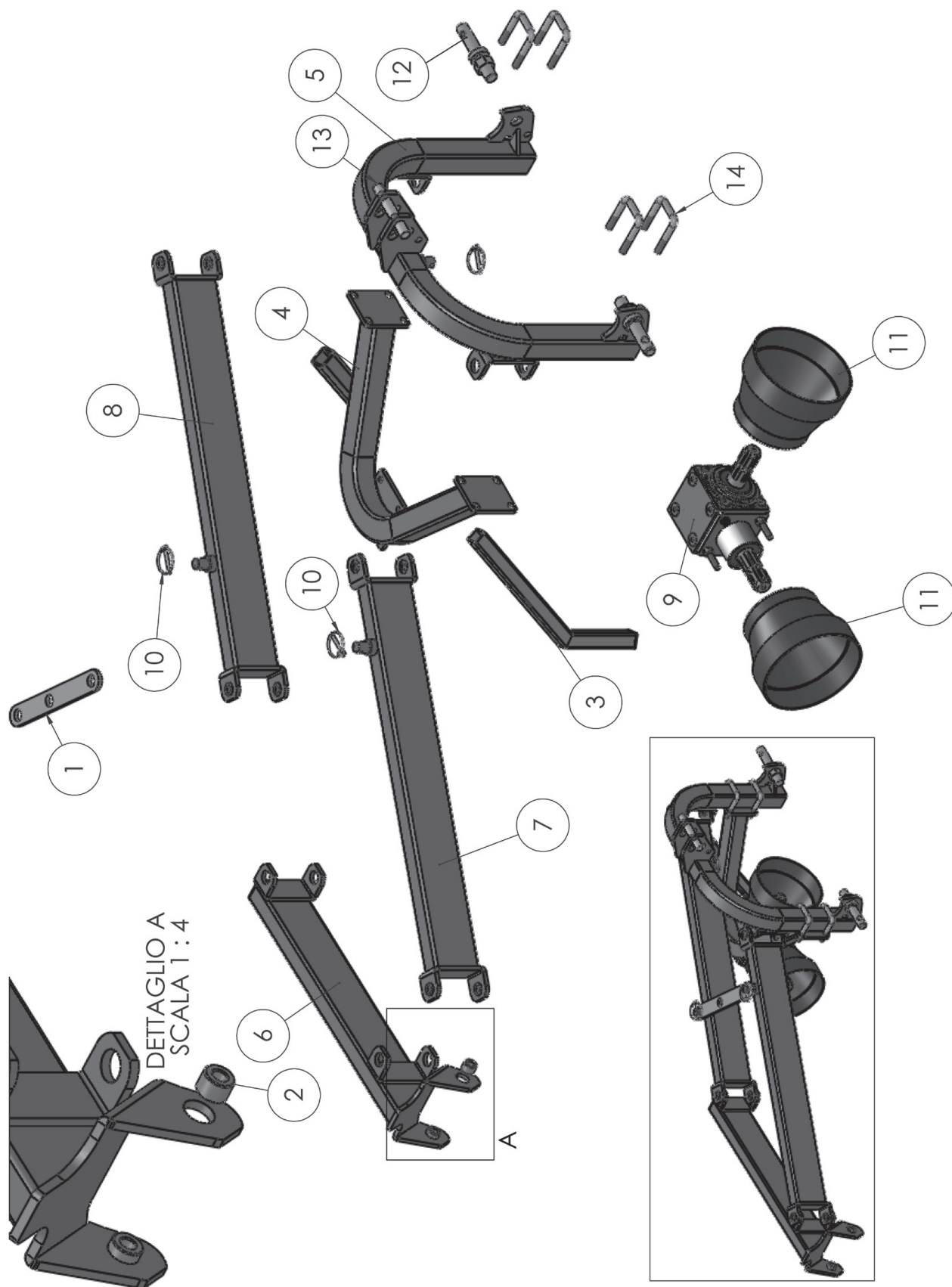


4. External Cast Box (cont.)



Ref. No.	Part No.	Description	Quantity
1	8BCDSSA002A	SUPPORT CARRIAGE BLADE SHAFT	1
2	8BCALSA001A	CARRIAGE BLADE SHAFT	1
3	7SLGHFA008A	CAST BOX	1
4	7PG18TA002A	PINION Z10	1
5	7DCF3FA010A	COVER PROTECTION	1
6	7CO18TA004A	GEAR Z20	1
7	7ABF3FA006A	OUTPUT SHAFT	1
8	525SAE90EP	OIL SAE 90 EP	0,4
9	519S305510	SEAL RING 30-55-10	2
10	517O130380	OIL CAP	1
11	513G128080	GASKET G120	1
12	5010063050	BEARING 6305	1
13	5010062050	BEARING 6205	2
14	501006007S	BEARING 6007 2RS	2
15	430A524205	SPACER ØE52 Øi42×0.5	1
16	418000520F	HOLE CIRCLIP Ø52×2	1
17	418000250A	SHAFT CIRCLIP Ø25×1,5	1
18	4138Z16AFB	NUT M16 MA	1

5. Side Arm - Side Rotary Mower



5. Side Arm - Side Rotary Mower (cont.)



Ref. No.	Part No.	Description	Quantity
1	7ASF3ZM001A	LOCK PLATE TFL1000-1150	1
1	7ASF3ZM002A	LOCK PLATE TFL-1350	1
2	7BSF3FA003A	BUSH Ø25	10
3	7GMF3ZM005A	SUPPORT	1
4	8BCARVC002A	GEAR BOX SUPPORT	1
5	8BCARVC003A	THREE POINT LINKAGE CAT 1°	1
6	8BCSTVC001A	CONNECTION ARMS	1
7	8BCSTVC002A	RIGHT ARM TFL1000/TFL1150	1
8	8BCSTVC003A	LEFT ARM TFL1000/TFL1150	1
7	8BCSTVC004A	RIGHT ARM TFL1350	1
8	8BCSTVC005A	LEFT ARM TFL1350	1
7	8BCSTVC006A	RIGHT ARM TFL1550	1
8	8BCSTVC007A	LEFT ARM TFL1550	1
9	8BCSIVC003A	GEAR BOX	1
10	5269900001	PIN Ø6mm	3
11	5269900008	PTO GUARD	2
12	5269900010	PIN Ø22,2×22,5	2
13	5269900011	PIN Ø19 WITH CHAIN	1
14	5269900013	U BOLT	4