

DCM Italia s.r.l.



Via Caduti del Lavoro, 34
43043 Borgo Val di Taro – Parma - Italy
Tel.+ 039 0525/97598 Fax.+039 0525/921540
E-mail: info@dcmitalia.it
www.dcmitalia.it

**SPARE PARTS
BF MJ
USA**

2013

DCM

tractortoolsdirect.com

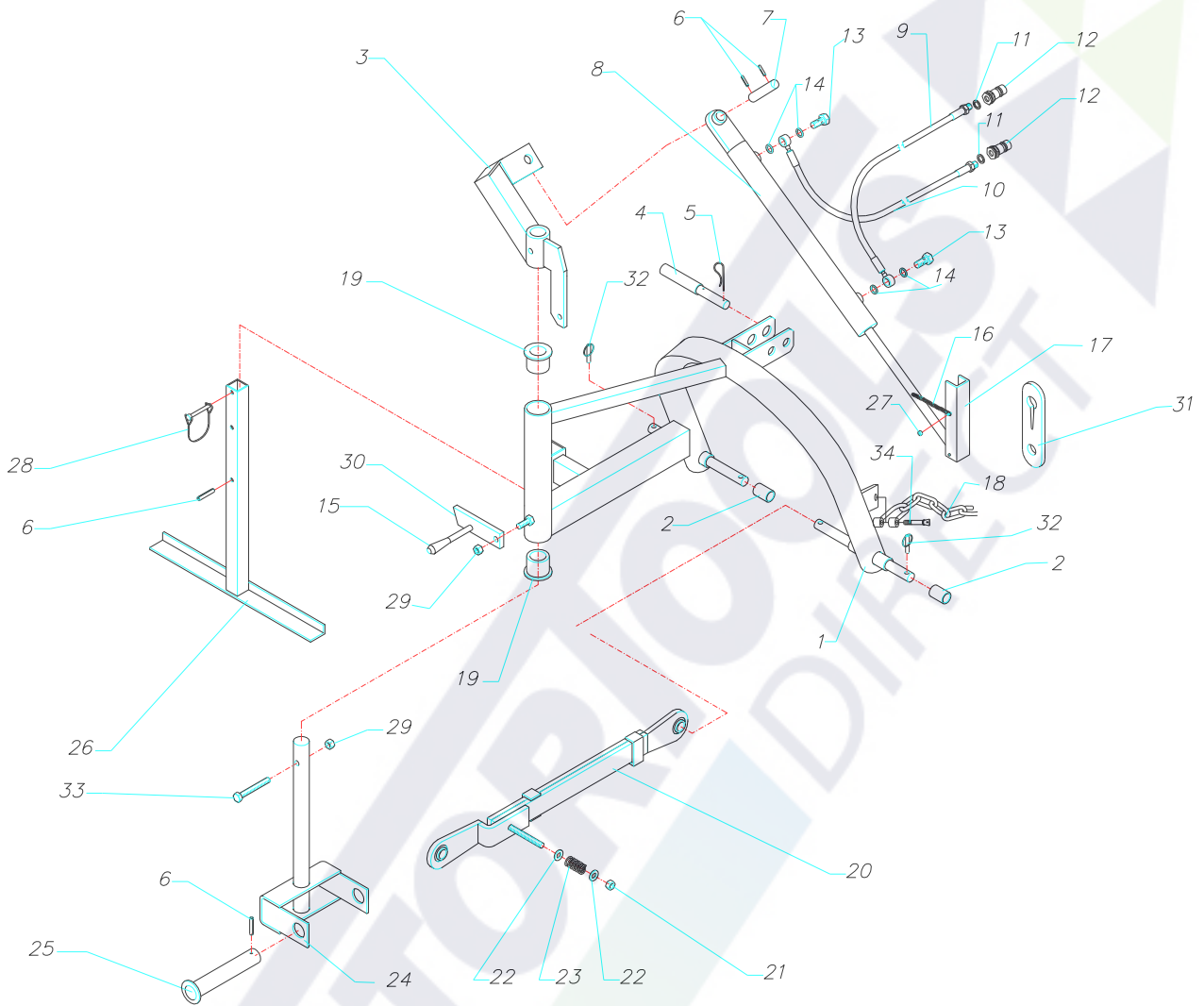
1

SPARE PARTS BFMJ
2013

(260) BALE-HAY

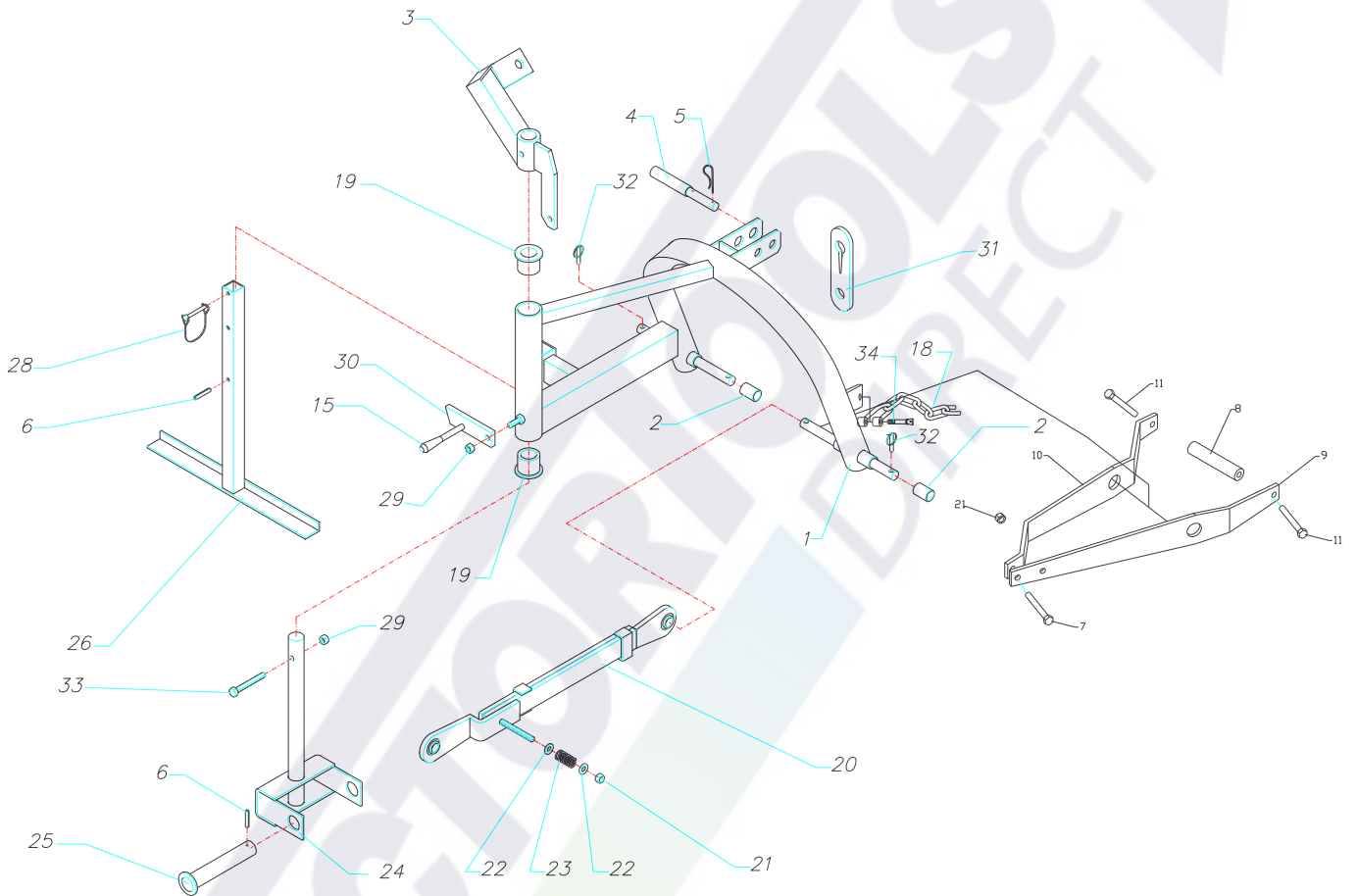
3 point hitch BF MJ HI

Ref.	Code	Description	Qty.
1	2675	3rd point BF MJ	1
2	C2085	Tractor pin bushing (optional)	2
3	2680	Cylinder connection	1
4	C2086	3 point hitch pin19-25	1
5	C2081	R clip Ø4	1
6	C2083	Roll pin Ø6 X 50	4
7	2075	Pin	1
8	2070	Cylinder BF	1
9	C2150	Hose ¼ L 2000	1
10	C2160	Hose ¼ L 1400	1
11	C2046	Copper washer ½"	2
12	C2153	Quick coupler ½" M	2
13	C1046	Bolt ¼"	2
14	C2045	Copper washer ¼"	4
15	C1078	Knob Ø12	1
16	C2097	Chain 18 links	1
17	2080	(U) cylinder stop [+bolt M6 X 30 + M6 nut]	1
18	C2094	Chain 20 links	1
19	2685	Frame shaft bushing	2
20	2065	Safety release	1
21	C1051	Selflock nut M14	1
22	2067	Washer	2
23	2063	Release spring JR	1
24	2690	Frame shaft JR	1
25	2695	Frame shaft pin	1
26	2700	Support stand JR	1
27	C1054	Selflock nut M6	1
28	C2082	Pin Ø8	1
29	C1052	Selflock nut M12	2
30	2705	3rd point stop plate	1
31	2087	Tractor hitch plate	1
32	C2084	Pin Ø10	2
33	C1025	Bolt M12 X 65	1
34	C2080	Shackle M12	1
	C2164	Kit complete hose L1400	
	C2166	Kit complete hose L2000	



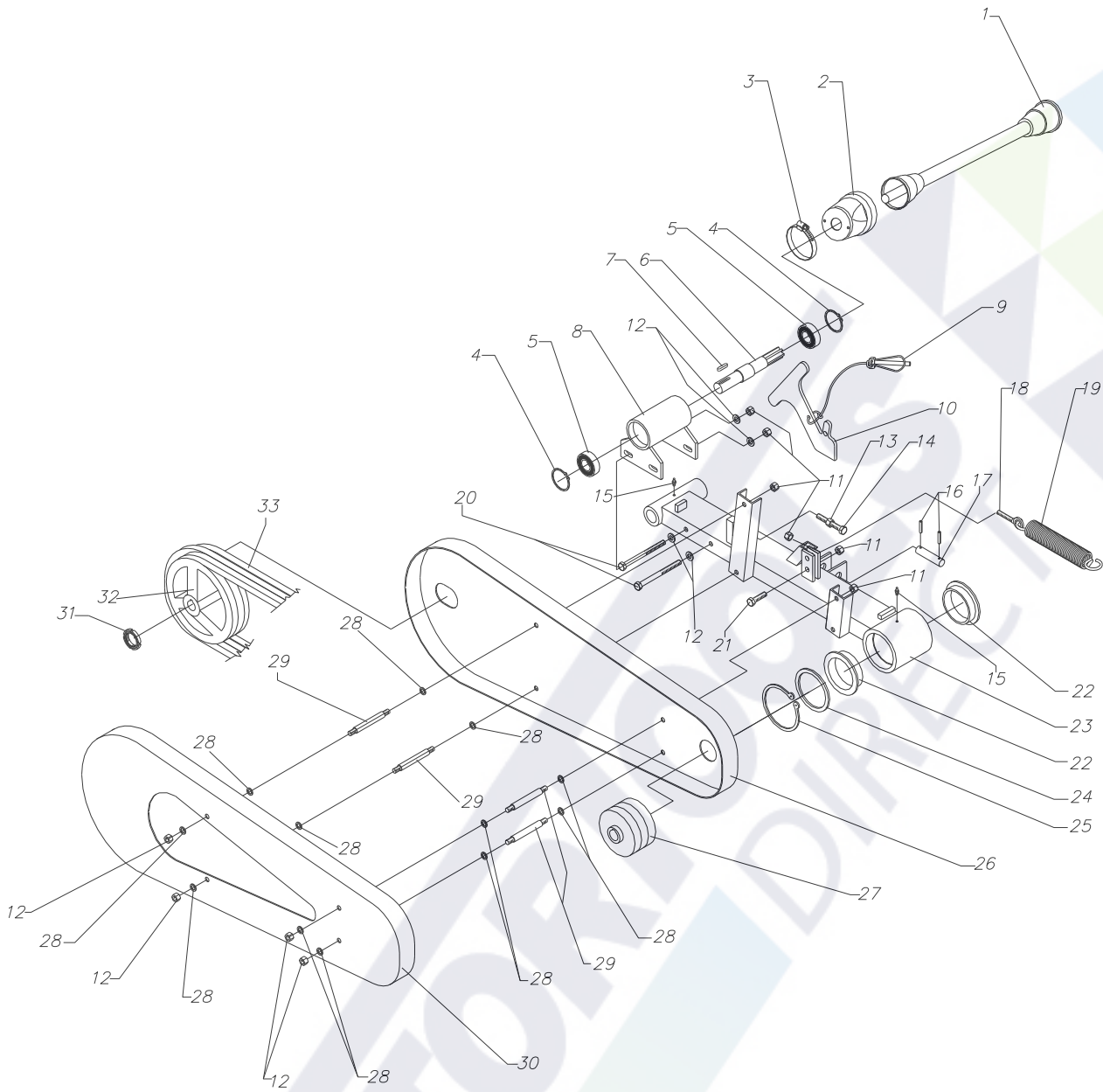
3 point hitch BF MJ M

Ref.	Code	Description	Qty.
1	2675	3rd point BF MJ	1
2	C2085	Tractor pin bushing (Optional)	2
3	2682	Spring connection BF MJ M	1
4	C2086	3 point hitch pin 19-25	1
5	C2081	R clip Ø 4	1
6	C2083	Roll pin Ø6 X 50	4
7	C1012	Bolt M14 X 45	1
8	2265	Spacer M	1
9	2270	Long plate BF MJ	1
10	2275	Short plate BF MJ	1
11	C1000	Bolt M16 X 40	2
15	C1078	Knob Ø12	1
16	C2097	Chain 18 links	1
18	C2094	Chain 20 links	1
19	2685	Frame shaft bushing	2
20	2065	Safety release	1
21	C1051	Selflock nut M14	2
22	2067	Washer	2
23	2063	Release spring JR	1
24	2690	Frame shaft JR	1
25	2695	Frame shaft pin	1
26	2700	Support stand JR	1
28	C2082	Pin Ø8	1
29	C1052	Selflock nut M12	2
30	2705	3rd point stop plate	1
31	2087	Tractor hitch plate	1
32	C2084	Pin Ø10	2
33	C1025	Bolt M12 X 65	1
34	C2080	Shackle M12	1



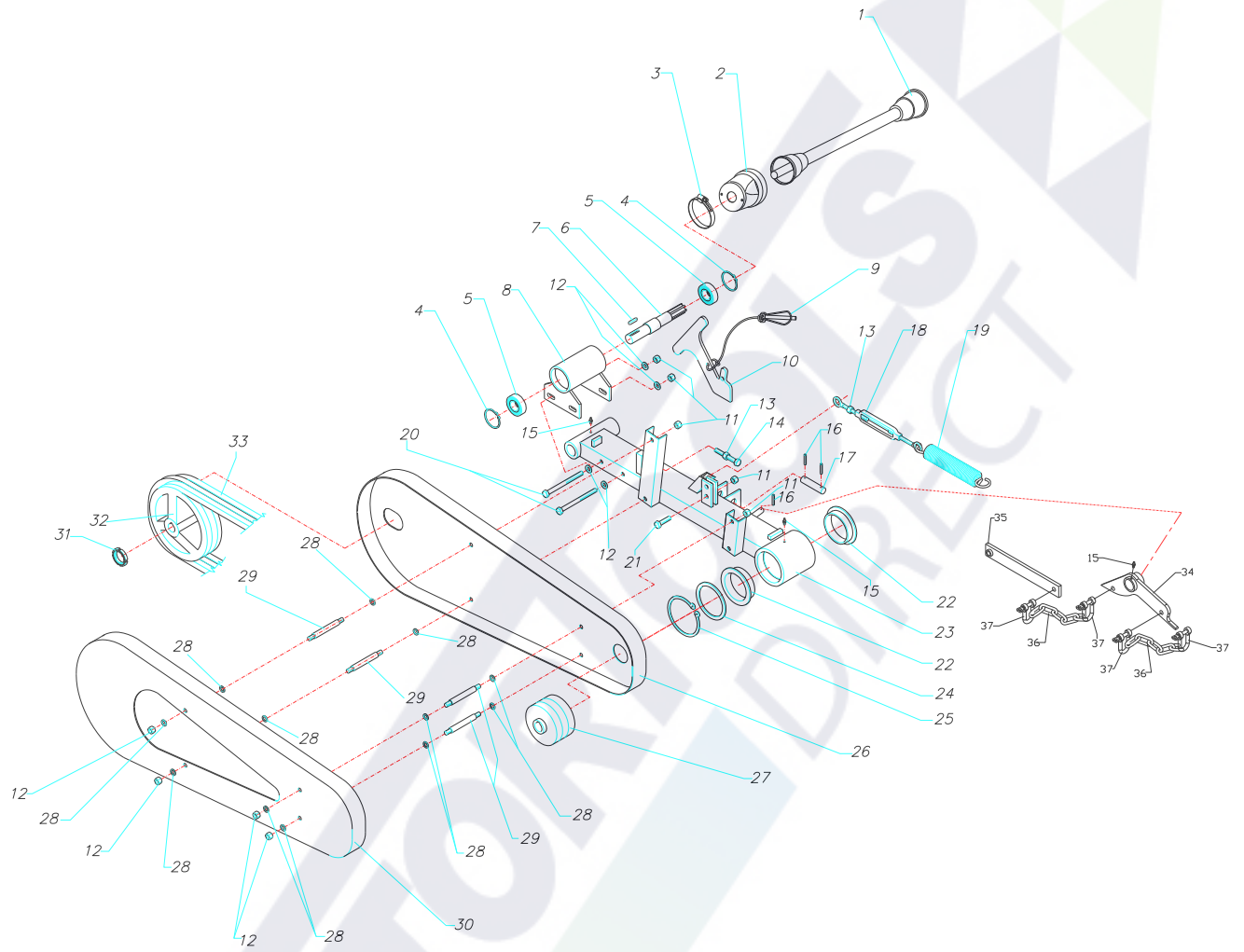
Frame BF MJ HI

Ref.	Code	Description	Qty.
1	C2596	PTO shaft B2 L900 USA	1
2	C2090	Cone	1
3	C2089	Cone ring	1
4	C2204	Snap ring inner Ø72	2
5	C2252	Bearing 6207 2RS	2
6	2505	Shaft	1
7	C2093	Key 8 X 60	1
8	2510	Shaft support	1
9	C2088	Pin Ø10 with chain	1
10	2555	Lever	1
11	C1052	Selflock nut M12	11
12	C2020	Washer Ø12 X 25	4
13	C1060	Nut M 12	1
14	C1017	Bolt M12 X 80 TF	1
15	C1045	Grease fitting M6	2
16	C2083	Roll pin Ø6 X 50	2
17	2060	Safety release pin	1
18	C2091	Eye bolt M12 X 120	1
19	2500	Spring	1
20	C1026	Bolt M12 X 135	2
21	C1024	Bolt M12 X 45	1
22	2520	Main frame attachment bushing	2
23	2796	Main frame BF MJ	1
24	2580	Main frame attachment washer	1
25	C2203	Snap ring outer Ø90	1
26	2800	Internal cover JR	1
27	2535	Pulley 130 X 2 SPB	1
28	C2021	Washer Ø12 X 36	12
29	2560	Joint pin	4
30	2805	External cover JR	1
31	C2100	Locking ring M30 X 1.5	1
32	2530	Pulley 300 X 2 SPB	1
33	C2360	Belt SPB 2000	2
	2640	Complete PTO shaft support assembled	-



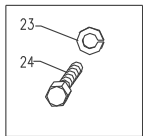
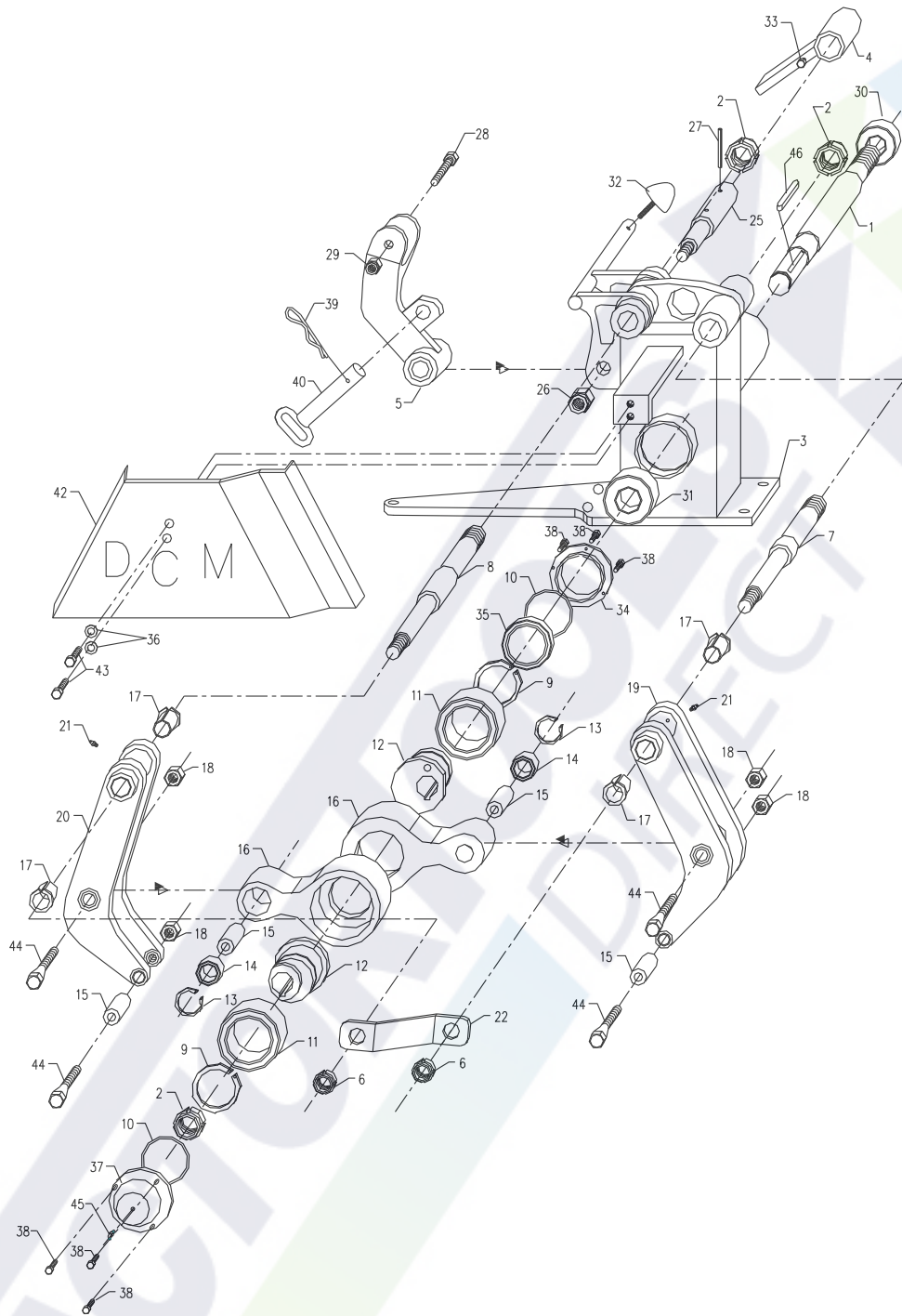
Frame BF MJ M

Ref.	Code	Description	Qty.
1	C2596	PTO shaft B2 L900 USA	1
2	C2090	Cone	1
3	C2089	Cone ring	1
4	C2204	Snap ring inner Ø72	2
5	C2252	Bearing 6207 2RS	2
6	2505	Shaft	1
7	C2093	Key 8 X 60	1
8	2510	Shaft support	1
9	C2088	Pin Ø10 with chain	1
10	2555	Lever	1
11	C1052	Selflock nut M12	10
12	C2020	Washer Ø12 X 25	4
13	C1060	Nut M12	1
14	C1017	Bolt M12 X 80 TF	1
15	C1045	Grease fitting M6	3
16	C2083	Roll pin Ø6 X 50	3
17	2060	Safety release pin	1
18	C2115	Spring attachment register	1
19	2500	Spring	1
20	C1026	Bolt M12 X 135	2
21	C1024	Bolt M12 X 45	1
22	2520	Main frame attachment bushing	2
23	2796	Main frame BF MJ	1
24	2580	Main frame attachment washer	1
25	C2203	Snap ring outer Ø90	1
26	2800	Internal cover JR	1
27	2535	Pulley 130 X 2 SPB	1
28	C2021	Washer Ø12 X 36	12
29	2560	Joint pin	4
30	2805	External cover JR	1
31	C2100	Locking ring M30 X 1,5	1
32	2530	Pulley 300 X 2 SPB	1
33	C2360	Belt SPB 2000	2
34	2132	Outrigger BF MJ	1
35	2125	Plate - Chain attachment	1
36	C2099	Chain 14 links	2
37	C2080	Shackle M12	4
	2640	Complete PTO shaft support assembled	-



Connecting rods BF MJ

Ref.	Code	Description	Qty.
1	1000	Shaft (to 2012)	1
1	1001	Shaft (from 2013)	
2	C2100	Locking ring M30 X 1,5	3
3	1035	Support (to 2012)	1
3	1036	Support (from 2013)	
4	2570	Stop	1
5	1060	Lift point lever	1
6	C2101	Locking ring M20 X 1	2
7	1050	Teeth bar arm shaft	1
8	1025	Blade bar arm shaft	1
9	C2200	Snap ring outer Ø65	2
10	C2201	O-Ring 2375	2
11	C2250	Bearing 6013 Z	2
12	1005	Hinge eccentric	2
13	C2202	Snap ring inner Ø47	2
14	C2251	Bearing 3204 2RS	2
15	1540	Bushing	4
16	1010	Internal connector	2
17	C2520	Bushing	4
18	C1060	Nut M12	4
19	1020	Teeth bar arm	1
20	1015	Blade bar arm	1
21	C1045	Grease fitting M6	2
22	1055	Support plate	1
25	1065	Lever lift pin	1
26	C1050	Selflock nut M16	1
27	C2083	Roll pin Ø6 X 50	1
28	C1025	Vite M12 X 65	1
29	C1052	Selflock M 12	1
30	C1075	Bearing 6306	1
31	C2252	Bearing 6207 (to 2012)	1
31	C2247	Bearing 3207 (from 2013)	
32	C1080	Stop-block M8	1
33	C1081	Bolt M6 X 25	1
34	1087	Oil seal ring	1
35	C2315	Oil seal 65 X 85 X 10	1
36	C2030	Washer Ø8 X 25	2
37	1100	Cone	1
38	C1105	Bolt M6 X 15	6
39	C2081	R pin Ø4 (option)	1
40	1120	Stop pin (option)	1
42	1125	Connector protection cover DCM	1
43	C1040	Bolt M8 X 16	2
44	2098	Conic bolt	4
45	C1048	Grease fitting 90° M6	1
46	C2095	Key 8 X 70	1
	1135	Complete connectors (to 2012)	-
	1136	Complete connectors (from 2013)	-



Cutting bar BF MJ

Ref.	Code	Description	Qty.
1	1515	External skis shoe	1
2	1565	Internal runner	1
3	1510	Outer bar support	1
4	1550	Lower blade guide	1
5	1505	Single upper blade guide	
6	1506	Double upper blade guide	
7	1502	Single lower blade guide	
8	1501	Double lower blade guide	
9	2858	Blade support bar BF MJ 105	
9	2860	Blade support bar BF MJ 120	
9	2855	Blade support bar BF MJ 135	
9	2865	Blade support bar BF MJ 150	
10	1525	Swath board	1
11	C1030	Bolt M10 X 55 TSEI	
12	C1057	Nut M10	
13	C2055	Set screw M12 X 16	
14	1638	Tooth bar BF MJ 105	
14	1640	Tooth bar BF MJ 120	
14	1645	Tooth bar BF MJ 135	
14	1650	Tooth bar BF MJ 150	
15	1545	Teeth head	1
16	C2060	Double blade tooth	
17	C2050	Rivet Ø7 X 19	
18	C2051	Rivet Ø6 X 12	
19	1652	Rod section BF MJ 105	
19	1655	Rod section BF MJ 120	
19	1660	Rod section BF MJ 135	
19	1665	Rod section BF MJ 150	
20	1530	Section head	1
21	C2065	Section	
22	C2066	Section with central hole	
23	C1156	Flanged bolt M8 X 16	3
24	C1045	Grease fitting M6	2
25	C1031	Bolt M10 X 35	2
26	C1020	Bolt M12 X 80 CR	1
27	C1052	Selflock nut M12	1
28	C1164	Bolt M8 X 50 CR	1
29	C1058	Selflock nut M8	1
30	2032	Lateral deflector spring	1
31	1575	Protection	1
32	C1010	Bolt M14 X 60	2
33	C1051	Selflock nut M14	5
34	C1032	Bolt M10 X 40 CR	1
35	1535	Bushing	2
36	C1021	Bolt M12 X 30	1
37	C2020	Washer Ø12 X 25	2
38	1570	Internal skid shoe	1
40	C1053	Selflock nut M10	3

41	C1014	Bolt M14 X 70 TSEI	
42	C1012	Bolt M14 X 45	1
43	C1034	Bolt M10 X 25	1
45	1580	Deflector tube ¾ P.V.C.	
45	1582	Wooden deflector tube	
47	2872	Complete teeth bar BF MJ 105	
47	2874	Complete teeth bar 8 denti BF MJ 120	
47	2875	Complete teeth bar 9 denti BF MJ 135	
47	2880	Complete teeth bar 10 denti BF MJ 150	
48	2883	Complete blade BF MJ 105	
48	2885	Complete blade 15 sezioni BF MJ 120	
48	2890	Complete blade 17 sezioni BF MJ 135	
48	2895	Complete blade 19 sezioni BF MJ 150	
49	C2052	Rivet Ø6 X 20	
50	2903	Teeth guard 105	
50	2905	Teeth guard 120-135	
50	2907	Teeth guard 150-165	
51	2900	Guard spring	
52	C1015	Bolt M14 X 60 TSEI	1

